

Next Evo X



Next Evo X is a gas instantaneous water heater featuring a premium Italian design and LED display with easy user interface.

- / Oxygen free copper heat exchanger
- / Built-in temperature stabilisation
- / Ultra compact – from 165mm in depth
- / Low NOx emissions with lean-rich burner
- / Energy-saving ECO function
- / Post ventilation system & overheat sensor for safety
- / Available in 11L LPG & 16L Natural Gas models*
- / Low minimum water pressure at 0.2 bar
- / Low minimum working flow rate at 2.5l/min
- / Conversion kits available for both models

*Gas conversion kits available

ENERGY RATING



ENERGY EFFICIENT



ITALIAN DESIGN



FLAT



LED DISPLAY



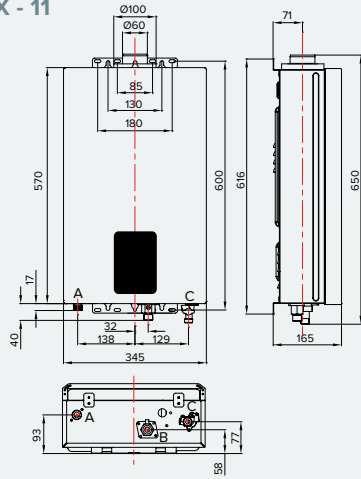
ELECTRONIC TEMP REGULATION

Typical applications

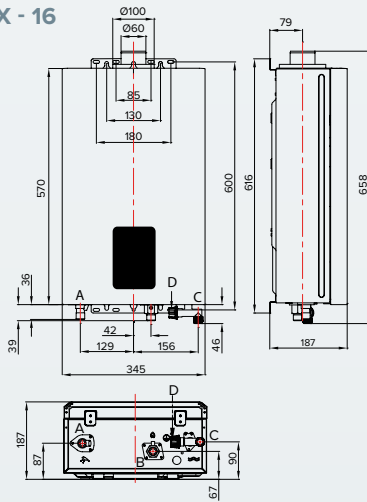
- / Kitchens & bathrooms
- / Loft conversions
- / Utility rooms



Next Evo X - 11



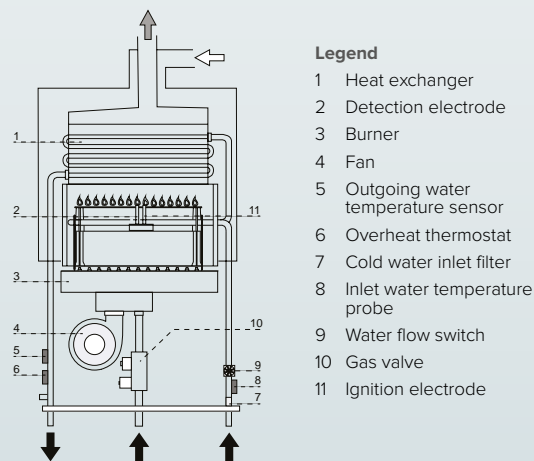
Next Evo X - 16



Next Evo X

A	1/2" domestic hot water outlet
B	1/2" gas inlet
C	1/2" cold water inlet
D	Drain valve

Water circuit diagram



Legend

- 1 Heat exchanger
- 2 Detection electrode
- 3 Burner
- 4 Fan
- 5 Outgoing water temperature sensor
- 6 Overheat thermostat
- 7 Cold water inlet filter
- 8 Inlet water temperature probe
- 9 Water flow switch
- 10 Gas valve
- 11 Ignition electrode

TECHNICAL DATA

11

16

Efficiency

Energy Rating	A	A
Load Profile	M	XL
Gas Type	LPG	Natural Gas
Weight (kg)	13.0	15.0
Maximum Nominal Heat Input (kW)	22.0	30.0
Minimum Nominal Heat Input (kW)	8.0	9.5
Minimum Working Pressure (bar)	0.2	0.2
Minimum Operating Flow Rate (l/min)	2.5	2.5
Nominal Flow Rate with $\Delta T@25^{\circ}C$ (l/min)	11.0	16.0
Power Supply Voltage/Frequency (V/Hz)	230 / 50	230 / 50
Nominal Noise Level (dB)	58.0	63.0
IPX Protection Level	IPX4	IPX4
Max Outlet Water Temperature ($^{\circ}C$)	65.0	65.0
Min Outlet Water Temperature ($^{\circ}C$)	35.0	35.0
Ambient Minimum Working Temperature ($^{\circ}C$)	5.0	5.0
Overall Dimensions (H x W x D) (mm)	570x345x165	570x345x187

Product Code	3632535	3632533
---------------------	---------	---------

Table of flue gas exhaust duct lengths

Type	Maximum Extension Exhaust-air (m)		Diameter of pipe (mm)
	NEXT EVO X 11/16		
	MIN	MAX	
C13	0.6	8	60/100

Flues and accessories

Code	Description
3319648	Horizontal Flue Kit 60/100 (SE)
3319050	Vertical Starter with Horizontal Terminal Kit 60/100 (SE)
3318003	90° Coaxial Elbow (SE)
3318004	45° Coaxial Elbow (Pack of 2) (SE)
3318005	Coaxial Extension - 1000mm (SE)
3318006	Coaxial Extension - 500mm (SE)
3318007	Coaxial Extension - 250mm (SE)
3318008	Vertical Starter (SE)
3318855	Vertical Flue with Black Terminal 60/100 (SE)
3632495	Conversion Kit from LPG to NG (For 11 Model)
3632498	Conversion Kit from NG to LPG (For 16 Model)
3318009	Black Lead Flashing Base Cap 18-44°
3318011	Black Vent Cap Base for Flat Roof
3318015	Wall Bracket Kit (80 - 125mm) (Pack of 3)
3024085	Thermostatic Mixing Valve 3/4" 35-60°C

Electrical connections

The power supply cable must be connected to a 230V-50Hz network, where the L-N poles and the earth connection are all respected.

