

Instinct 8 Framed Bifold Doors Shower Enclosures Bifold Doors + Side Panels



Instinct 8 Framed Bifold Door with Side Panel

Specification

Frame Finish	Chrome
Glass Finish	Clear
Covers Finish	Chrome
Fixings	Concealed
Seals	Cushioned magnetic close
Dimensions	1950(h) mm
Weight	See below

Features

Handle	Double stainless steel handle
Bearings	Easy clean double rollers for a smooth sliding opening action
Assembly	Frame pre-assembled
Safety Standard	CE EN 14428
Components	See following page

Bifold Doors

	Size	Adjustment	Weight
INS00B0N	760mm	710-750mm	25kg
INS00C0N	800mm	750-790mm	26kg
INS00D0N	900mm	850-890mm	28kg
INS00E0N	1000mm	950-990mm	31kg

Side Panels

	Size	Adjustment	Weight
INS07A0N	700mm	660-680mm	24kg
INS07B0N	760mm	720-740mm	27kg
INS07D0N	800mm	760-780mm	28kg
INS07E0N	900mm	860-880mm	32kg

Key Features + Benefits

10 Year Guarantee	6 mm Glass Thickness	Easy Clean Glass	Fully Reversible	Cushioned magnetic close	Easy Installation
-----------------------------	--------------------------------	------------------	------------------	--------------------------	-------------------

Certifications + Accreditations



Merlyn Showering

Merlyn House, Unit 8, Purcellsinch Industrial Estate, Dublin Road, Kilkenny R95 HP71 Ireland. Tel: Freephone 0808 1011 429 Email: spec@merlyn.ie

All information on the data sheet is correct at the time of publication. All measurements are approximate and subject to standard tolerances.

Technical Data Sheet | Shower Enclosures

www.instinctproducts.co.uk

Instinct 8 Framed Bifold Doors Shower Enclosures Bifold Doors + Side Panels

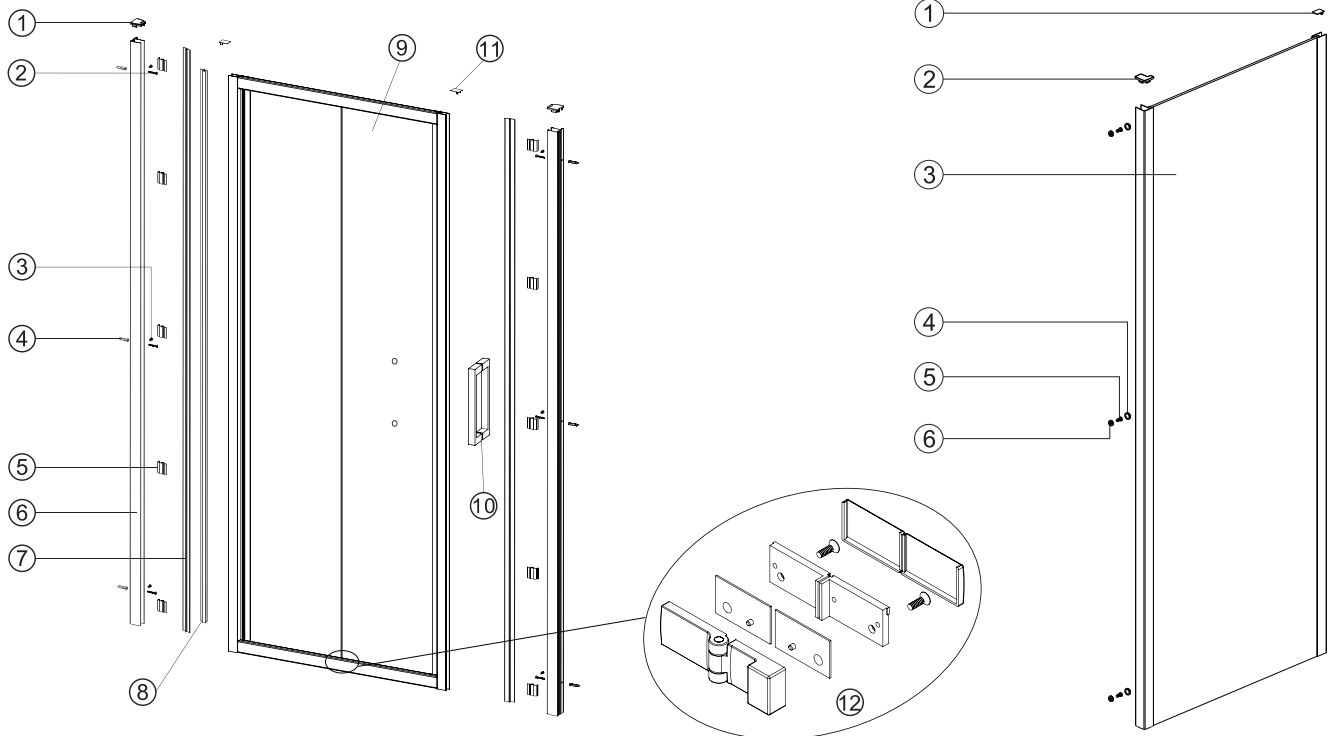
Components

No.	Description	Qty	Part No.
1	Cover cap for wall profile L/R	2	SPOB08060 L/R
2	Screw ST4x30	6	A03S0089
3	Flat head screw ST4x12	6	SPOST4
4	Ø6 x 30 wall plug	6	A03S0090
5	Cover strip clip	10	SPOB08054
6	Wall profile	2	A03S0143

No.	Description	Qty	Part No.
7	Cover strip	2	A03S0146
8	Upright water seal for fixed panel	1	A03S0148
9	Glass panel	1	B
10	Handle (with glass hole distance of 250mm)	1	INSHAN250
11	Upright profile cover cap	2	SPOB08062
12	Complete hinge set	2	A03S0092

Components - Side Panel

No.	Description	Qty	Part No.
1	Cover cap for upright profile	1	B08062
2	Corner post profile cover L/R	2	N01054/N01055
3	Fixed panel	1	A
4	Screw cap	3	A308
5	Corner profile screw ST4x12	3	A2401201
6	Screw clip	3	A039



Merlyn Showering

Merlyn House, Unit 8, Purcellsinch Industrial Estate, Dublin Road, Kilkenny R95 HP71 Ireland. Tel: Freephone 0808 1011 429 Email: spec@merlyn.ie

All information on the data sheet is correct at the time of publication. All measurements are approximate and subject to standard tolerances.