

### Instinct 8 Framed Double Quadrant Door Shower Enclosures Sliding Doors + Fixed Panels



Instinct 8 Framed Double Quadrant Door with Fixed Panel

#### Specification

Frame Finish	Chrome
Glass Finish	Clear
Covers Finish	Chrome
Fixings	Concealed
Seals	Cushioned magnetic close
Dimensions	1950(h) mm
Weight	See below

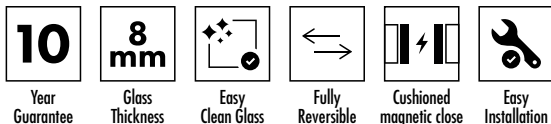
#### Features

Handle	Double stainless steel handle
Bearings	Easy clean double rollers for a smooth sliding opening action
Assembly	Quick fix assembly system
Safety Standard	CE EN 14428
Components	See following page

#### Double Quadrant Doors

	Size	Adjustment	Weight
INS02A0N	800mm	760-780mm	50kg
INS02B0N	900mm	860-880mm	58kg

#### Key Features + Benefits



#### Certifications + Accreditations



#### Merlyn Showering

Merlyn House, Unit 8, Purcellsinch Industrial Estate, Dublin Road, Kilkenny R95 HP71 Ireland. Tel: Freephone 0808 1011 429 Email: spec@merlyn.ie

All information on the data sheet is correct at the time of publication. All measurements are approximate and subject to standard tolerances.

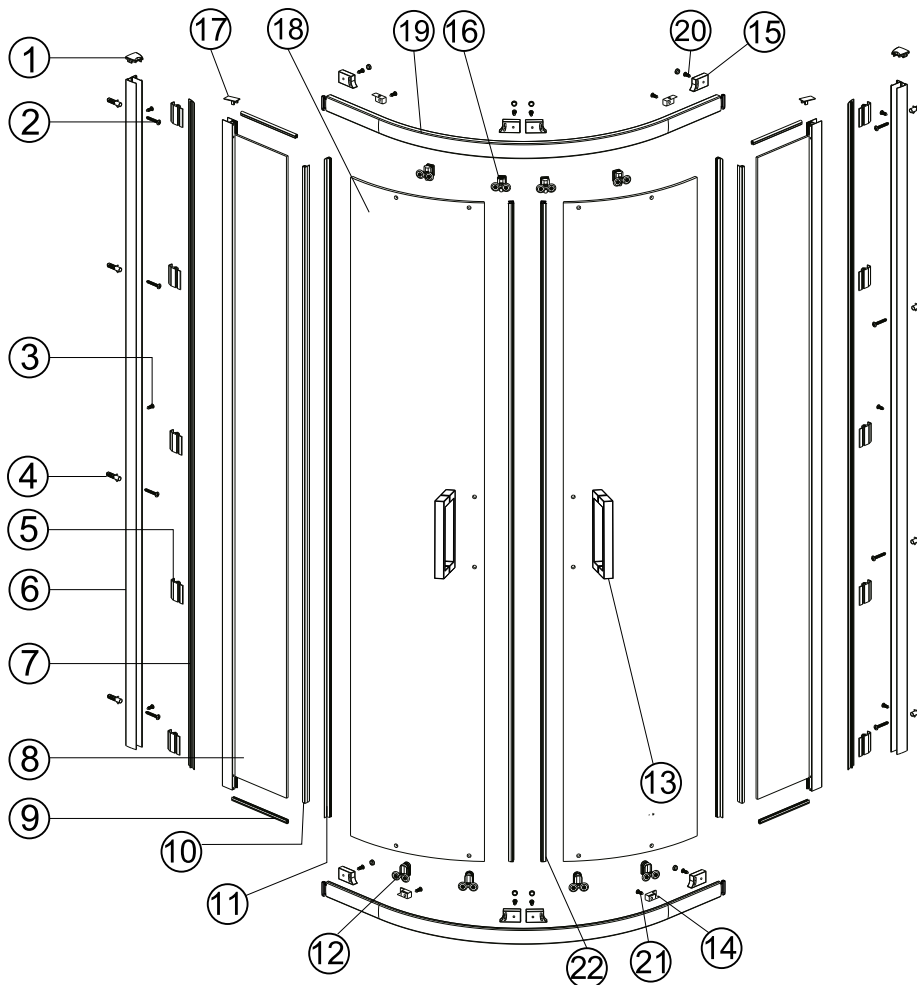
## Technical Data Sheet | Shower Enclosures

www.instinctproducts.co.uk

### Instinct 8 Framed Sliding Doors Shower Enclosures Sliding Doors + Side Panels

#### Components

No.	Description	Qty	Part No.	No.	Description	Qty	Part No.
1	Cover cap for wall profile L/R	2	B08060L/B08060R	12	Bottom rollers	4	MB0082
2	Screw ST4x30	8	A2403001	13	Handle (with glass hole distance of 250mm)	2	INSHAN250
3	Flat head screw ST4x12	6	A2401201	14	Glass clip L/R	4	INS046L/INS046R
4	Ø6 x 30 wall plug	8	B08070	15	Roller stop L/R	8	B08065L/B08065R
5	Cover strip clip	10	B08054	16	Top roller	4	B08074
6	Wall profile	2	INS001	17	Cover cap for upright profile	2	B08062
7	Cover strip	2	INS007	18	Moving panel	2	B
8	Fixed panel	2	A	19	Top and bottom rail	2	
9	Fixed panel top & bottom seal	4		20	Roller stop crew ST4x10	8	B08089
10	Upright water seal for fixed panel	2	INS038	21	Glass clip screw ST4x15	4	INS050
11	Upright water seal for moving panel	2	INS040	22	Magnet seal	1	INS053



#### Merlyn Showering

Merlyn House, Unit 8, Purcellsinch Industrial Estate, Dublin Road, Kilkenny R95 HP71 Ireland. Tel: Freephone 0808 1011 429 Email: spec@merlyn.ie

All information on the data sheet is correct at the time of publication. All measurements are approximate and subject to standard tolerances.