

Instinct 8 Framed Pivot Doors Pivot Doors + Side Panels



Instinct 8 Framed Pivot Door with Side Panel

Specification

Frame Finish	Chrome
Glass Finish	Clear
Covers Finish	Chrome
Fixings	Concealed
Seals	Cushioned magnetic close
Dimensions	1950(h) mm
Weight	See below

Features

Handle	Double stainless steel handle
Bearings	Easy clean double rollers for a smooth sliding opening action
Assembly	Frame pre-assembled
Safety Standard	CE EN 14428
Components	See following page

Pivot Doors

	Size	Adjustment	Weight
INS06B0N	760mm	710-750mm	27kg
INS06D0N	800mm	750-790mm	29kg
INS06E0N	900mm	850-890mm	32kg

Side Panels

	Size	Adjustment	Weight
INS07A0N	700mm	660-680mm	24kg
INS07B0N	760mm	720-740mm	27kg
INS07D0N	800mm	760-780mm	28kg
INS07E0N	900mm	860-880mm	32kg

Key Features + Benefits

10 Year Guarantee	8 mm Glass Thickness	Easy Clean Glass	Fully Reversible	Cushioned magnetic close	Easy Installation
-----------------------------	--------------------------------	------------------	------------------	--------------------------	-------------------

Certifications + Accreditations



Merlyn Showering

Merlyn House, Unit 8, Purcellsinch Industrial Estate, Dublin Road, Kilkenny R95 HP71 Ireland. Tel: Freephone 0808 1011 429 Email: spec@merlyn.ie

All information on the data sheet is correct at the time of publication. All measurements are approximate and subject to standard tolerances.

Technical Data Sheet | Shower Enclosures

www.instinctproducts.co.uk

Instinct 8 Framed Pivot Doors Pivot Doors + Side Panels

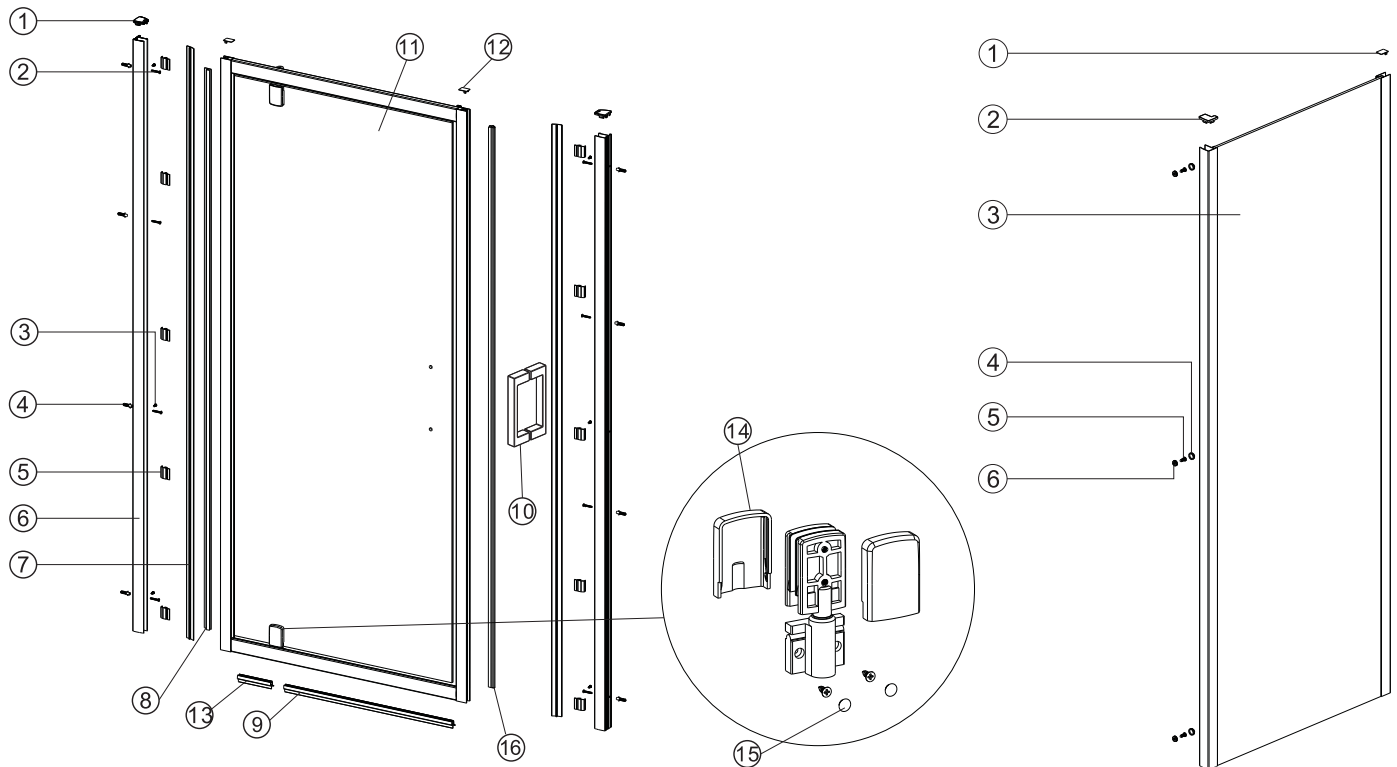
Components

No.	Description	Qty	Part No.
1	Cover cap for wall profile L/R	2	B08060L/B08060R
2	Screw ST4x30	8	A2403001
3	Flat head screw ST4x12	6	A2401201
4	Ø6 x 30 wall plug	8	B08070
5	Cover strip clip	10	B08054
6	Wall profile	2	INS001
7	Cover strip	2	INS007
8	Upright water seal for fixed panel	1	INS035

No.	Description	Qty	Part No.
9	Bottom seal long	1	B08046
10	Handle (with glass hole distance of 250mm)	1	INSHAN250
11	Flat fixed panel	1	A
12	Cover cap for upright profile	2	B08062
13	Bottom seal long	1	B08088
14	Front & back cover caps	2	B08093
15	Screw cover caps	2	B08069
16	Magnet seal	1	INS054

Components - Side Panel

No.	Description	Qty	Part No.
1	Cover cap for upright profile	1	B08062
2	Corner post profile cover L/R	2	N01054/N01055
3	Fixed panel	1	A
4	Screw cap	3	A308
5	Corner profile screw ST4x12	3	A2401201
6	Screw clip	3	A039



Merlyn Showering

Merlyn House, Unit 8, Purcellsinch Industrial Estate, Dublin Road, Kilkenny R95 HP71 Ireland. Tel: Freephone 0808 1011 429 Email: spec@merlyn.ie

All information on the data sheet is correct at the time of publication. All measurements are approximate and subject to standard tolerances.