

### los LED Illuminated Mirror (Gunmetal Finish) INST050126GM, INST050127GM, INSTI50GM



#### Specification

	INST050126GM (Circular - Ø600mm)	INST050127GM (Circular - Ø800mm)
Finish	Gunmetal	Gunmetal
Dimensions	600(diameter) x 30(d) mm	800(diameter) x 30(d) mm
Weight	8.082kg	6.886kg
Lighting Type	LED	LED
Colour Changing Technology (CCT)	Yes	Yes
Switch Location	Front	Front
Surface/Recess Fitting	Surface	Surface
Carcass/Frame Construction Material	Aluminium	Aluminium
Carcass/Frame Finish	Gunmetal	Gunmetal
Glass Thickness	5mm	5mm

	INSTI50GM (Pill)
Finish	Gunmetal
Dimensions	800(h) x 500(w) x 30(d) mm
Weight	5.8kg
Lighting Type	LED
Colour Changing Technology (CCT)	Yes
Switch Location	Front
Surface/Recess Fitting	Surface
Carcass/Frame Construction Material	Aluminium
Carcass/Frame Finish	Gunmetal
Glass Thickness	5mm

#### Features

Touch Controls	Touch on/off
Lighting	Backlit design with double tap CCT (Colour Changing Technology) control
Design	Chamfer detailing on glass designed to flow into the design of the frame

#### FAQs

Please see following pages

#### Certifications + Accreditations



#### Key Features + Benefits

<b>5</b> Years Guarantee	<b>2</b> Years Guarantee Electrical Components	<b>IP44</b> Rated	<b>LED</b> Lighting	<b>CCT</b> Control Lighting	<b>Touch Controls</b>	<b>Heated Demister Pad</b>
<b>Shape Options</b>	<b>SLIM</b> Slim Design					

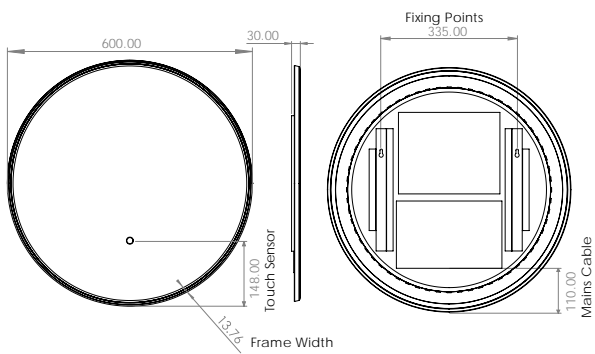
#### Roper Rhodes

Brassmill Lane Trading Estate, Bath, BA1 3JF. Technical Support – Tel: 01225 303 900 Email: sales@roperrhodes.co.uk

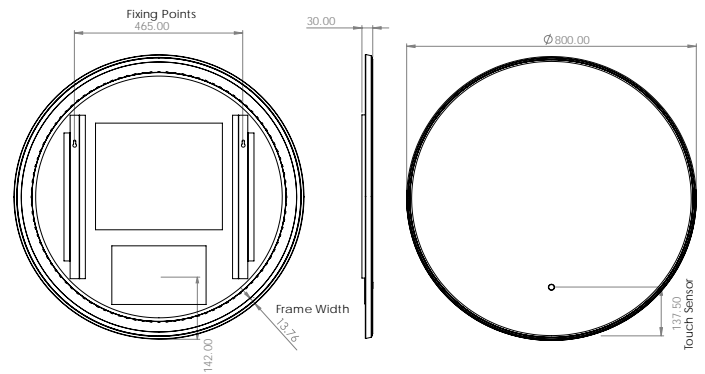
All information on the data sheet is correct at the time of publication. All measurements are approximate and subject to standard tolerances.

### los LED Illuminated Mirror (Gunmetal Finish) INST050126GM, INST050127GM, INSTI50GM

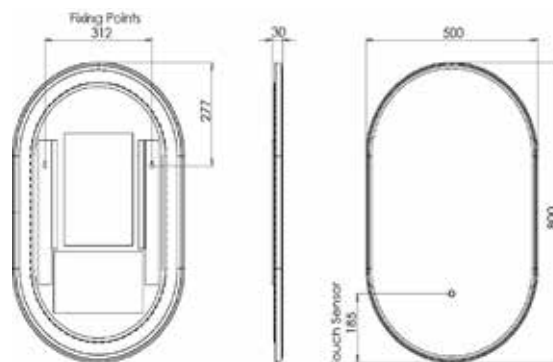
#### Circular – Ø600mm (INST050126GM)



#### Circular – Ø800mm (INST050127GM)



#### Pill – 800 x 600mm (INSTI50GM)



### los LED Illuminated Mirror (Gunmetal Finish) INST050126GM, INST050127GM, INSTI50GM

#### FAQs

	INST050126GM (Circular – Ø600mm)	INST050127GM (Circular – Ø800mm)	INSTI50GM (Pill)
Can the mirror be hung landscape?	No (Portrait only)	No (Portrait only)	No (Portrait only)
What is the thickness of the mirror glass?	5mm	5mm	5mm
Is the mirror IP44 rated?	Yes – Suitable for use in bathroom zone 2		
What size fuse should I use?	Seek the advice of an electrician		
Where is the switch sensor located?	Front centre		
Can the LED lighting be replaced?	No	No	No
Can the switch sensor be replaced?	Yes	Yes	Yes
How do I turn on the demister pad?	The demister pad will turn on when the LEDs are turned on.		
Are illuminated mirrors supplied with mains cable?	All illuminated cabinets/mirrors are supplied with a removeable 500mm mains cable.		
Why are the lights not switching on?	Please note: After the mirror is connected to power for the first time, it may take up to 5 minutes for the sensor to calibrate and become fully responsive.		

#### Electrical Specification

	INST050126GM (Circular – Ø600mm)	INST050127GM (Circular – Ø800mm)	INSTI50GM (Pill)
Input Voltage	220-240V 50Hz	220-240V 50Hz	220-240V 50Hz
Lamp Type	24V DC LED Lamp	24V DC LED Lamp	24V DC LED Lamp
Total Wattage (LED + Demist)	25.6W	46.3W	32.4W
Demist	11W	23.1W	13.2W
Demist Size	200*250	300*350	300*350
LEDs	16.6W	23.2W	19.2W
LED	1950lm	2730lm	2262lm
Energy Rating	F	F	F
CCT	3000-6500K	3000-6500K	3000-6500K
CRI	80	80	80
IP Rating	IP44	IP44	IP44
Electrical Class	Class II	Class II	Class II

The LED (lm) values represent the output of the LED. Actual product level Lumen output may vary depending on the diffuser material i.e., glass or acrylic.

#### Roper Rhodes

Brassmill Lane Trading Estate, Bath, BA1 3JF. Technical Support – Tel: 01225 303 900 Email: sales@roperrhodes.co.uk

All information on the data sheet is correct at the time of publication. All measurements are approximate and subject to standard tolerances.