

Instinct Bottom Entry Dual Flush Concealed Cistern INST13001



Specification

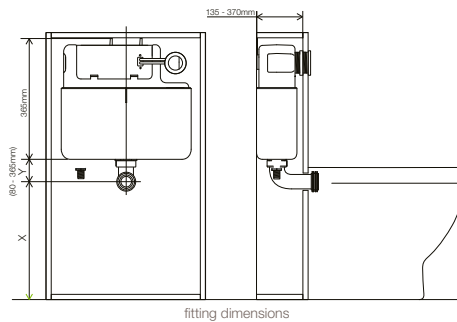
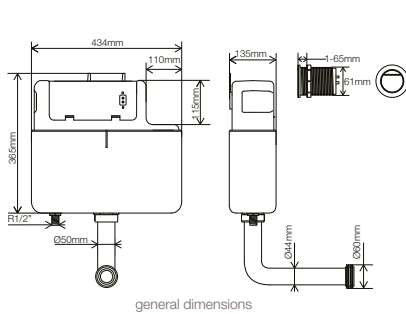
Finish	White
Dimensions	365(h) x 434(w) x 140(d) mm
Weight	2.39kg
Cistern Fitting Manufacturer	OEM
Airgap	Includes air gap inlet valve
Flush Plate / Button Supplied	Push button
Flush (Single / Dual)	Dual
Flush (Max / Min)	6 / 3L
Inlet Position (When looking at WC)	Bottom left
Min Operating Pressure	0.1 Bar
Max Operating Pressure	10 Bar

Features

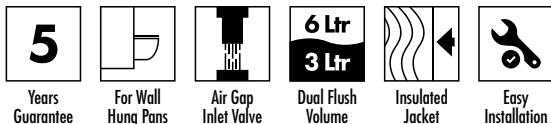
Design	Pre-assembled concealed cistern
Installation	Flushpipe >90° for neat installation, fixings included
Maintenance	Top and front access for easy maintenance and installation
Flush Valve	Pneumatic flush valve and push button operation
Inlet Valve	Bottom entry inlet valve
Insulation	Insulated polystyrene anti-condensation jacket

FAQs

Please see next page



Key Features + Benefits



Certifications + Approvals

Roper Rhodes

Brassmill Lane Trading Estate, Bath, BA1 3JF. Technical Support – Tel: 01225 303 900 Email: sales@roperrhodes.co.uk

All information on the data sheet is correct at the time of publication. All measurements are approximate and subject to standard tolerances.

Instinct Bottom Entry Dual Flush Concealed Cistern INST13001

FAQs

Q – What is the length of the flush pipe to the pan?

A – 390mm.

Q – What is the length of the push button hoses?

A – Approx 700mm.

Q – What is the maximum vertical length of the flush pipe to the tank?

A – 400mm.

Q – Why does the big (full flush) button go down when pressing the small (half flush) button?

A – This is normal due to the button mechanism - the bellows closes the full flush compartment to reduce the total flush.

Q – When the button is pushed it wont go in or flush?

A – Check the hose connections from the back of the button to the valve.