

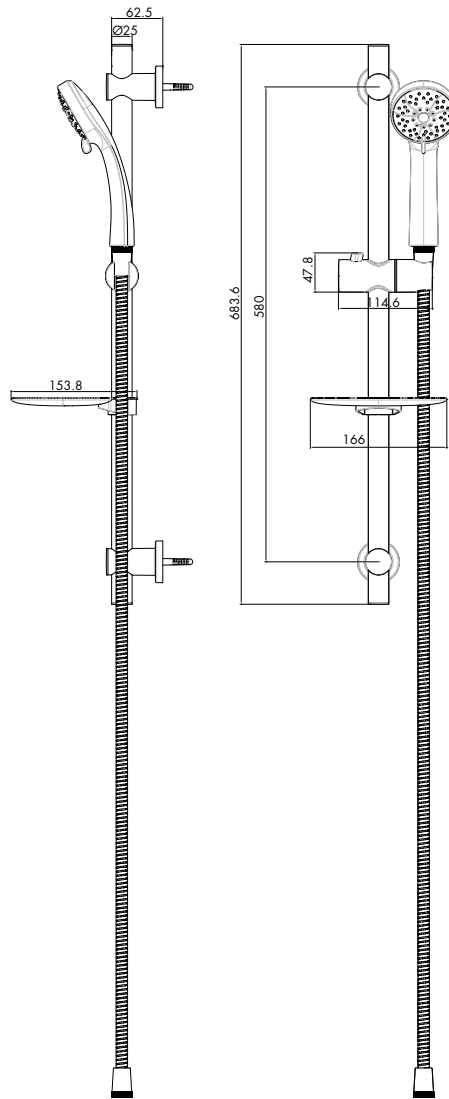
Three Function Shower Set INSTAM169341PG

Specification

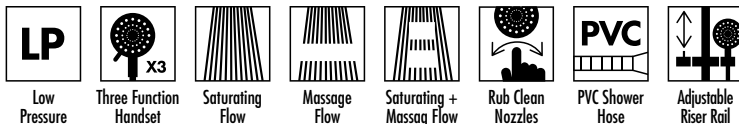
Finish	Chrome
Dimensions	684(h) x 115(w) x 62.5(d) mm
Weight	0.653kg
Riser Rail	Adjustable
Riser Rail Material	Polished Stainless Steel
Riser Rail Length	690mm
Hose Material	Reinforced PVC
Hose Length	1500mm
Hose Connection	½" BSP thread
Hose Bore	7mm
Handset Material	Plastic
Handset Functions	Three
Handset Rub Clean	Yes
Handset Connection	½" BSP thread

Features

Compatibility	Ideal for all shower types
Economy	Optional ECO function reduces water usage by up to 50%
Fixings	580mm fixing centres, fixings included
Accessories	Soap dish and hose retaining ring included



Key Features + Benefits



Certifications + Accreditations



Tested at 0.2 Bar

Croydex

Central Way, Andover, Hampshire SP10 5AW. Tel: 01264 365881 Email: sales@croydex.co.uk

All information on the data sheet is correct at the time of publication. All measurements are approximate and subject to standard tolerances.