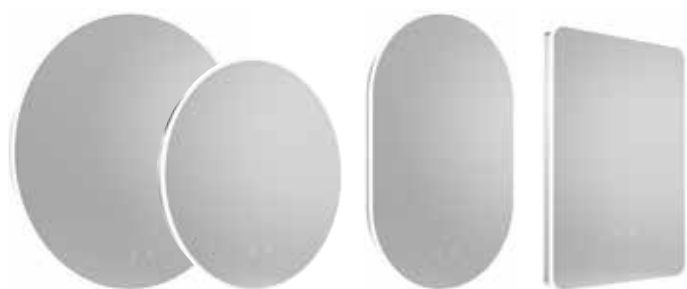


### Laytham LED Illuminated Mirror INSTLA60C, INSTLA80C, INSTLA50P, INSTLA50R



#### Key Features + Benefits

<b>5</b> Years Guarantee	<b>2</b> Years Guarantee Electrical Components	 Charging Socket	<b>IP44</b> IP44 Rated	<b>LED</b> LED Lighting	<b>CCT</b> CCT Control Lighting	 Touch Controls
 Heated Demister Pad	 Portrait or Landscape Hanging	 Shape Options				

#### Specification

	INSTLA60C (Circular - Ø600mm)	INSTLA80C (Circular - Ø800mm)
Finish	-	-
Dimensions	600(diameter) x 55(d) mm	800(diameter) x 55(d) mm
Weight	5.68kg	8.76kg
Lighting Type	LED	LED
Colour Changing Technology (CCT)	Yes	Yes
Switch Location	Front	Front
Surface/Recess Fitting	Surface	Surface
Carcass/Frame Construction Material	Aluminium	Aluminium
Glass Thickness	4mm	4mm

	INSTLA50P (Pill)	INSTLA50R (Rectangular)
Finish	-	-
Dimensions	800(h) x 500(w) x 55(d) mm	700(h) x 500(w) x 55(d) mm
Weight	6.98kg	6.81kg
Lighting Type	LED	LED
Colour Changing Technology (CCT)	Yes	Yes
Switch Location	Front	Front
Surface/Recess Fitting	Surface	Surface
Carcass/Frame Construction Material	Aluminium	Aluminium
Glass Thickness	4mm	4mm

#### Features

Lighting	Dimmable LED perimeter lighting with CCT (Colour Changing Technology) control
Demister	Separate Demister control with auto switch off
Touch Controls	Integrated two-pin charging socket
Hanging	Landscape or Portrait (INSTLA50R)

#### FAQs

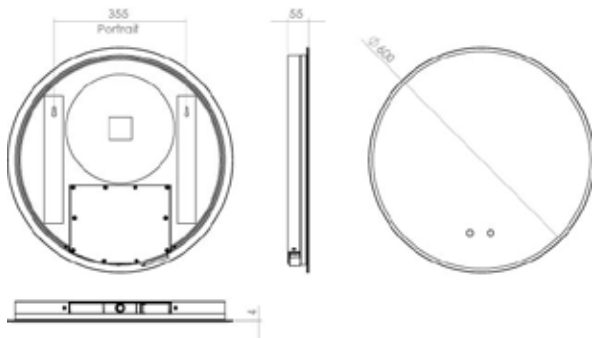
Please see following pages

#### Certifications + Accreditations

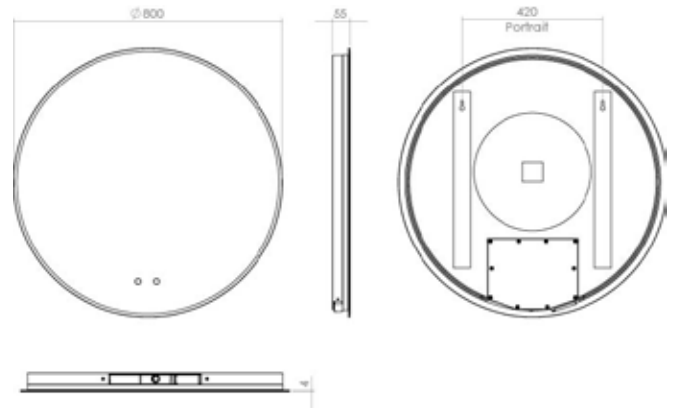
### Laytham LED Illuminated Mirror

INSTLA60C, INSTLA80C, INSTLA50P, INSTLA50R

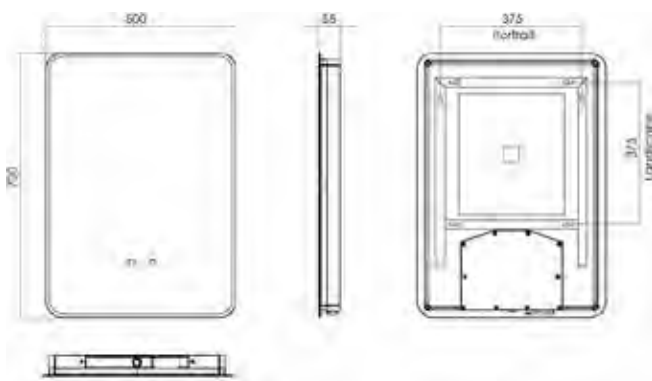
#### Circular – Ø600mm (INSTLA60C)



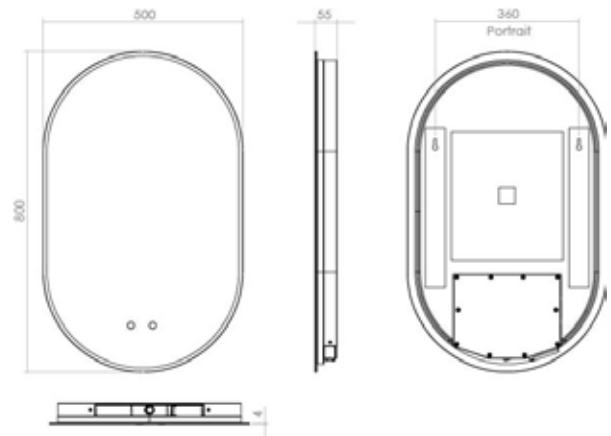
#### Circular – Ø800mm (INSTLA80C)



#### Pill – 500 x 800mm (INSTLA50P)



#### Rectangular – 500 x 700mm (INSTLA50R)



### Laytham LED Illuminated Mirror

INSTLA60C, INSTLA80C, INSTLA50P, INSTLA50R

#### FAQs

	INSTLA60C (Circular – Ø600mm)	INSTLA80C (Circular – Ø800mm)	INSTLA50P (Pill)	INSTLA50R (Rectangular)
Can the mirror be hung landscape?	No	No	No	Yes
Does this mirror have frosting?	Yes, 10mm wide	Yes, 10mm wide	Yes, 10mm wide	Yes, 10mm wide
What is the thickness of the mirror glass?	4mm	4mm	4mm	4mm
Is the mirror IP44 rated?	Yes – Suitable for use in bathroom zone 2			
Where is the touch sensor located?	At the bottom, centre of mirror			
How do I turn on the demister pad?	Press the right touch sensor with the demister icon, touch sensor will turn red when on. Demister automatically turns off after 30 minutes. See user manual for more information.			
Where is the shaver socket located?	Bottom of mirror when portrait.			
Can the LED lighting be replaced?*	No	No	No	No
Can the touch sensor be replaced?	Yes	Yes	Yes	Yes
What size fuse should I use?	Seek the advice of an electrician			
Are illuminated mirrors supplied with mains cable?	All illuminated cabinets/mirrors are supplied with a removeable 500mm mains cable. There is ample storage for excess cable in the back of the unit.			

#### Electrical Specification

	INSTLA60C (Circular – Ø600mm)	INSTLA80C (Circular – Ø800mm)	INSTLA50P (Pill)	INSTLA50R (Rectangular)
Input Voltage	220-240V 50Hz	220-240V 50Hz	220-240V 50Hz	220-240V 50Hz
Lamp Type	12V DC LED Lamp	12V DC LED Lamp	12V DC LED Lamp	12V DC LED Lamp
Total Wattage (LED + Demist)	31.3W	45.4W	40.4W	42.0W
Demist	13.5W	21.2W	19.7W	19.7W
Demist Size	Ø280	Ø350	280*320	280*320
LEDs	17.7W	24.3W	20.7W	22.3W
LED**	1944lm	2664lm	2268lm	2448lm
Energy Rating	F	F	F	F
CCT	3000–6000K	3000–6000K	3000–6000K	3000–6000K
CRI	80	80	80	80
IP Rating	IP44	IP44	IP44	IP44
Electrical Class	Class II	Class II	Class II	Class I

\*The LED (lm) values represent the output of the LED. Actual product level lumen output may vary depending on the diffuser material i.e., glass or acrylic.