

# Atlas

## ATLAS PRO 55CM BASIN 1TH



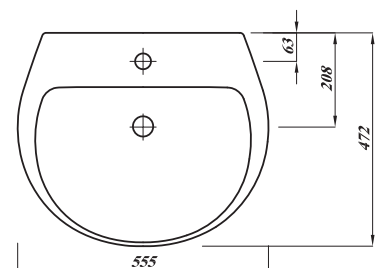
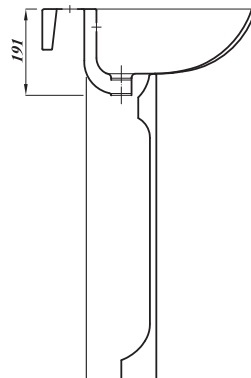
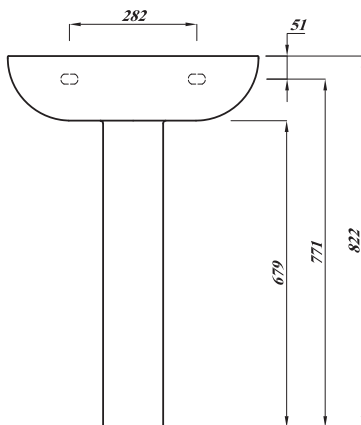
<b>Product Code</b>	<b>ASPRO55BA1</b>
<b>Weight (Kg)</b>	12.7
<b>Material</b>	Vitreous China
<b>Tap holes</b>	1
<b>Extras</b>	Brackets - BRACK55 / Bolts - FBWB Bottle trap - BOTRAPCH/ Waste - TPOPRNEW Overflow ring

### Key features:

- UKCA Compliant
- C-shape Design
- Internal overflow
- Lifetime ceramic guarantee\*

### Description:

This basin features the latest in smooth thin design with one tap hole. A modern revision of a classic basin. Can be paired with Atlas Semi Pedestal (MDWHSPE) and Atlas Full Height Pedestal (ASWHPE).



All dimensions are approximate and subject to normal variation. Although every effort is made not to change the above product specification, Lecico reserve the right to do so without prior notification if necessary. All guarantees are against manufacturers defects. Full information on guarantees available upon request.