

# Atlas

## 50CM URINAL PACKS - 4 BOWL - EXPOSED PIPEWORK



\*Trap not included

<b>Product Code</b>	<b>UR50BOX4TOGO</b>
<b>Weight (Kg)</b>	57.8
<b>Material</b>	Vitreous china & mixed plastics and metal
<b>Colour</b>	White & Chrome
<b>Flushing volume (Ltr)</b>	9
<b>Flushing mechanism</b>	Autosyphon
<b>Standards</b>	BS5520, BS3402, EN13407-CL2-III-4.5B
<b>Extras</b>	Urinal Separator - URSEP

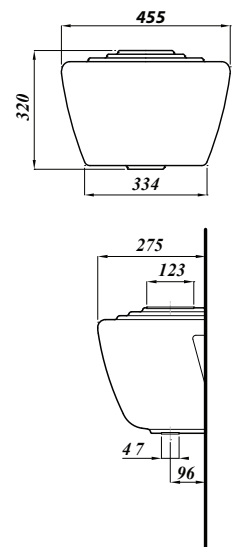
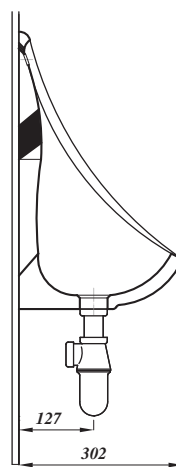
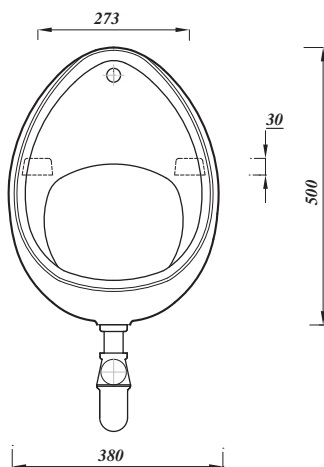
### Pack Contains:

- 4 50cm urinal & Brackets (URBOW50 & BRACK)
- Exposed pipeworks (URPW4BOW)
- Top inlet spreaders (URTIS)
- Plastic dome wastes (URDWP)
- Large header tank & fixing brackets (URCIL & BRACKSL)
- Autosyphon (ASYP159)

### Description:

Pick up Urinal packs, a simple all in one urinal box set that includes everything you need for multiple urinal installations. CE Compliant, exposed inlet.

For fitting instructions please email [customerservice@Lecico.co.uk](mailto:customerservice@Lecico.co.uk)



All dimensions are approximate and subject to normal variation. Although every effort is made to change the above product specification, Lecico reserve the right to do so without prior notification if necessary. All guarantees are against manufacturers defects. Full information on guarantees available upon request.