

VAC 1/2 C MT

CLUB Tap Range Club Basin Taps with Metal Heads Chrome



Features:

- Metal back nuts for added durability
- Metal handles
- Supplied with metal backnuts

Specify As:

Bristan "VAC 1/2 C MT" Club Basin Taps with metal heads, 1/2" BSP threaded inlet tails and compression valves. Product is WRAS Approved with a 5 year warranty. Manufacturer: Bristan Group Limited. Contact details: contractenquiry@bristan.com

Product Certifications:



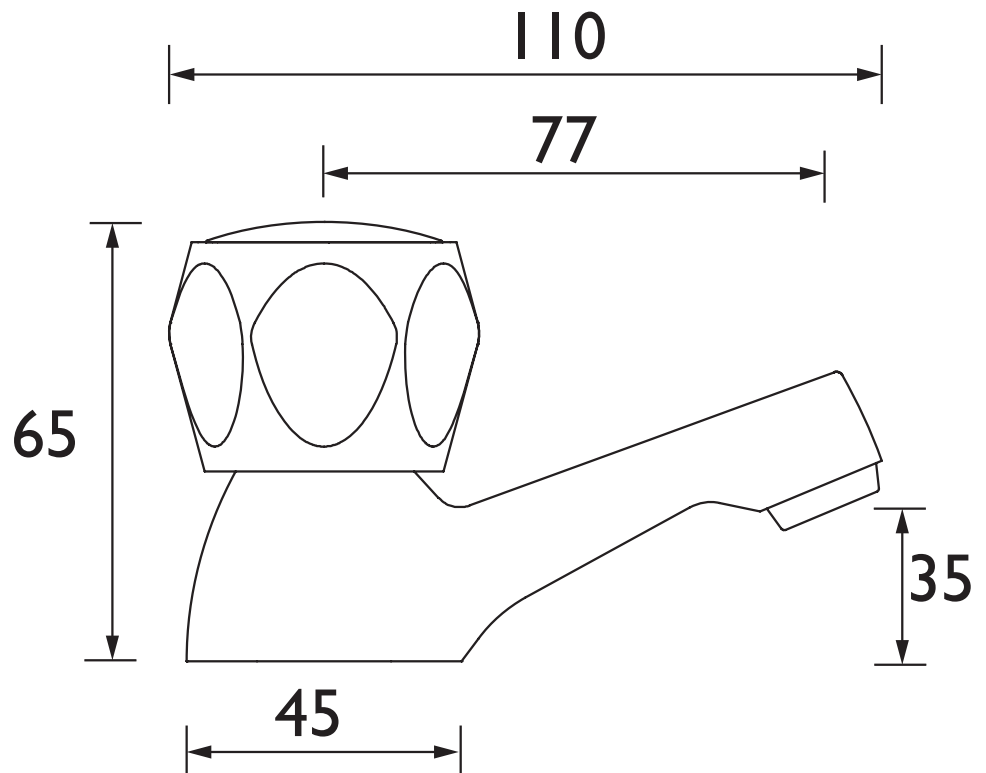
For more products, visit our website:
<http://www.bristan.com>



Specification

| | |
|--|-----------------------------------|
| Product Type: | Bathroom Taps |
| Main Construction Material: | Brass |
| Mount Type: | Deck Mounted |
| Handle Type: | Handwheel |
| Connection Inlet: | 1/2" BSP |
| Connection Outlet: | M16 Aerator |
| Number of Tap Holes: | 2 |
| Valve/Cartridge Type: | 1/2" Standard Valve |
| Plumbing System Requirements: | Suitable for all plumbing systems |
| Minimum Dynamic Pressure: | 0.2 Bar |
| Maximum Dynamic Pressure: | 5.0 bar |
| Maximum Hot Water Temperature: °C | 65 |
| Maximum Static Pressure: (bar) | 10 |
| Flow Type: | Single Flow |
| Isolation Included: | No |

Dimensions (measurements in mm)



Flow Rates (l/min)

| System Pressure (bar) | 0.2 | 0.5 | 1 | 2 | 3 | 5 |
|-----------------------|-----|------|----|------|------|----|
| VAC 1/2 C MT | 14 | 22.1 | 31 | 44.3 | 54.2 | 70 |

TECHNICAL DATA SHEET



BRISTAN

D6