

VAC 3/4 C MT

CLUB Tap Range Club Bath Taps with Metal Heads Chrome



Features:

- Metal back nuts for added durability
- Metal handles

Specify As:

Bristan "VAC 3/4 C MT" Club Bath Taps with metal heads, 3/4" BSP threaded inlet tails and compression valves. Product is WRAS Approved with a 5 year warranty. Manufacturer: Bristan Group Limited. Contact

Details: contractenquiry@bristan.com

Product Certifications:



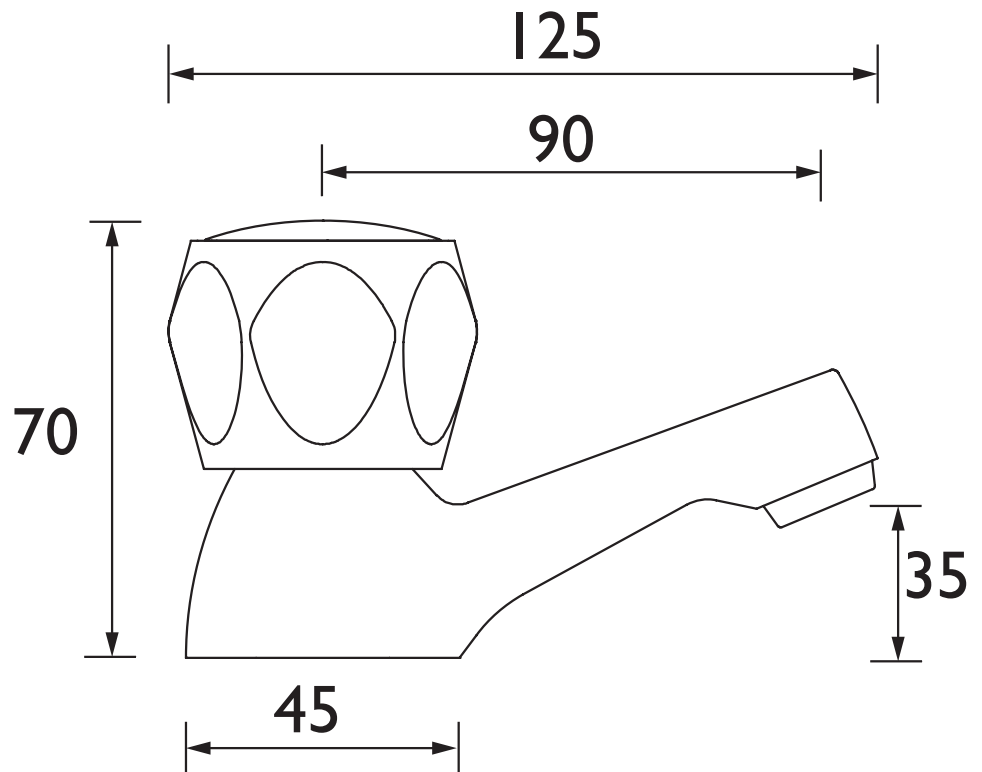
For more products, visit our website:
<http://www.bristan.com>



Specification

Product Type:	BathroomTaps
Main Construction Material:	Brass
Mount Type:	Deck Mounted
Handle Type:	Handwheel
Connection Inlet:	3/4" BSP
Connection Outlet:	M16 Aerator
Number of Tap Holes:	2
Valve/Cartridge Type:	1/2" Compression Valve
Plumbing System Requirements:	Suitable for all plumbing systems
Minimum Dynamic Pressure:	0.2 Bar
Maximum Dynamic Pressure:	5.0 Bar
Maximum Hot Water Temperature: °C	65
Maximum Static Pressure: (bar)	10
Flow Type:	Single Flow
Isolation Included:	No

Dimensions (measurements in mm)



Flow Rates (l/min)

System Pressure (bar)	0.2	0.5	1	2	3	5
VAC 3/4 C MT	14	22.1	31.3	44.3	54.2	70

TECHNICAL
DATA
SHEET



BRISTAN

D5