

VAC HNK C MT

VALUE Tap Range Club High Neck Pillar Taps Chrome Plated With Metal Heads



Specification

Product Type:	Taps
Main Construction Material:	Brass
Mount Type:	Deck Mounted
Handle Type:	Handwheel
Connection Inlet:	½" BSP
Connection Outlet:	N/A
Number of Tap Holes:	2
Valve/Cartridge Type:	½" Standard Valve
Plumbing System Requirements:	All - Ideally Balanced
Working Pressure Range:	Min. 0.2 bar - Max. 7.0 Bar
Maximum Hot Water Temperature: °C	65
Maximum Static Pressure: (bar)	10

Features:

- Metal back nuts for added durability

Product Certifications:



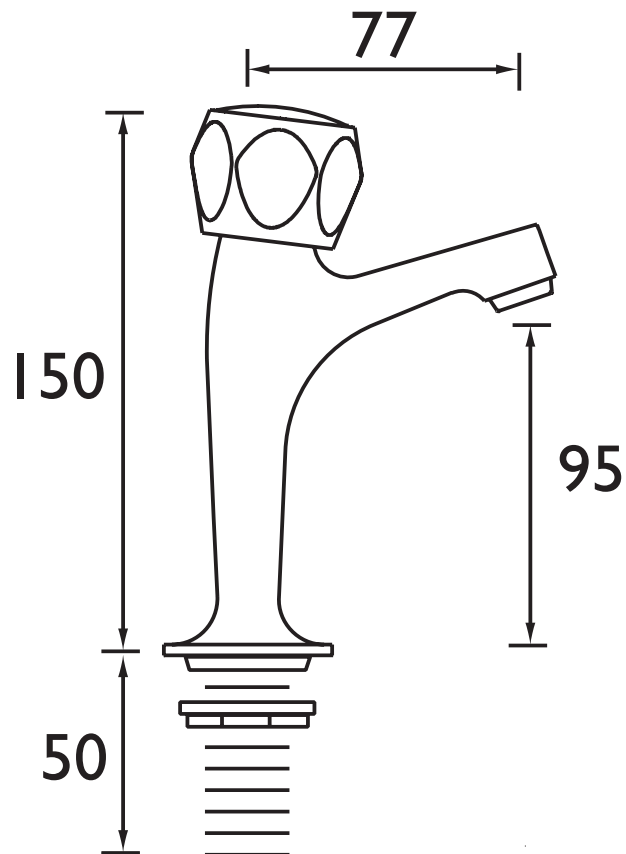
WRAS Cert. Number: 1905900
WRAS Expiry Date: 31/05/2024



For more products, visit our website:
<http://www.bristan.com>



Dimensions (measurements in mm)



Flow Rates (l/min)

System Pressure (bar)	0.2	0.5	1	2	3	5
VAC HNK C MT	13.6	21.75	31	43.5	53.2	68.7

TECHNICAL
DATA
SHEET



BRISTAN
TAPS & SHOWERS

D7