



GAS CONDENSING TECHNOLOGY

Domestic Gas Boiler Guide

				
				
VITODENS 050-W 29 kW Combi	VITODENS 100-W 26 kW Open Vent	VITODENS 100-W 30 kW Combi	VITODENS III-W 35 kW Storage Combi	VITODENS 200-W 35 kW System 60 kW System

VIESSMANN



Vitodens 200 series

from page 4

Gas fired condensing boilers and solar DHW tower with 5-inch colour touchscreen control, energy cockpit, up to 1:20 modulation range and minimum output 1.6 kW



Vitodens 100 series

from page 10

Gas fired condensing boilers with compact dimensions, low weight and quiet operation, the Vitodens 100 series will integrate effortlessly into any living space



Vitodens 050-W series

from page 16

Gas fired condensing boiler offering excellent heating and DHW convenience with a particularly advantageous price/performance ratio



Installation accessories

from page 18

Information on cylinders, including the Viessmann 4-pipe system, flue options and controls



Viessmann Academy

from page 28

See our range of courses available and how to book a place



Contact us

from page 30

Useful contact details for all departments

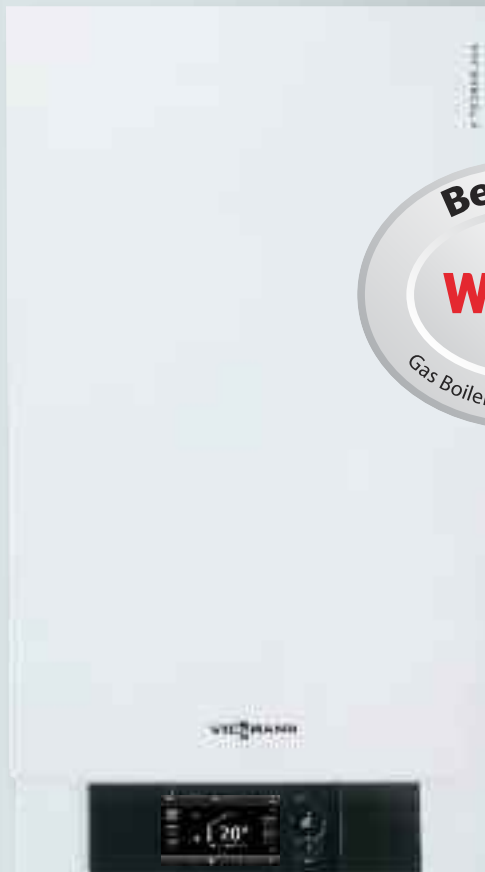


Technical specification

from page 32

Detailed boiler technical specifications

3 year comprehensive
warranty as standard
5 years if fitted by a Viessmann
Trained Installer
Option to increase up to 10 years*



Vitodens 200-W 35 kW System
reviewed as a Which? Best Buy

VITODENS 200-W COMBI AND SYSTEM

Wall mounted gas fired condensing boiler, with modulating MatriX cylinder burner and Inox-Radial heat exchanger, for open and balanced flue operation.

Take advantage of these benefits

- Up to 98 percent of the fuel used is converted into heat
- Quiet operation thanks to low fan speed
- Compact dimensions, only 450 mm wide
- 1:20 modulation range (35 kW)
- Easy to operate Vitotronic control unit with 5 inch colour touchscreen
- Control via app and internet (with optional Vitoconnect 100 WiFi adaptor)
- Optionally available as combi (type BK2B) or system boiler (type B2HB)
- Also available: 49/60, 80-150 kW
- Energy efficiency class: A
- Combined PRV and condensate connection, for fast and simple installation

Automatic combustion control reduces costs

The integral Lambda Pro Control Plus combustion controller automatically adapts to the properties of different gas types (natural gas or LPG) and ensures consistently high energy efficiency. Lambda Pro Control Plus helps to keep maintenance costs down.

Convenient control via app

Controlling the heating centre is particularly convenient via app and the Vitoconnect 100 WiFi adaptor. This establishes the connection to the home router and enables access to the Vitodens 200-W via the internet from a smartphone or tablet computer. The ViCare app controls one heating circuit; for up to three heating circuits, use the Vitotrol Plus app.

Extremely easy to maintain

By selecting this boiler, the user will also benefit from low maintenance costs: All components are accessible from the front, no side clearance for servicing is required. When controlling the Vitodens 200-W via ViCare or the Vitotrol Plus app, the contractor can automatically be notified in the event of a fault.

Available as a system or combi boiler

The Vitodens 200-W is optionally available as a system boiler with separate DHW heating or, as a combi boiler with an output of up to 35 kW.

Viessmann 4-pipe system

Viessmann Vitodens system boilers up to 35 kW installed together with a Vitocell 200 or 300 unvented cylinder are the perfect combination to meet G3 building regulations without the need for an energy cut-off valve and cylinder overheat thermostat; these are integrated into the boiler (see page 18).

* Viessmann Trained Installers can offer their customers an extended warranty option up to 10 years.



Boilers

Part No.	Description
B2HB410	Vitodens 200-W 19 kW System boiler with Vitotronic 200 weather comp
B2HB411	Vitodens 200-W 26 kW System boiler with Vitotronic 200 weather comp
B2HB412	Vitodens 200-W 30 kW System boiler with Vitotronic 200 weather comp
B2HB413	Vitodens 200-W 35 kW System boiler with Vitotronic 200 weather comp
B2KB078	Vitodens 200-W 26 kW Combi with Vitotronic 200 weather comp
B2KB079	Vitodens 200-W 30 kW Combi with Vitotronic 200 weather comp
B2KB080	Vitodens 200-W 35 kW Combi with Vitotronic 200 weather comp
Controls	
7141709	Vitotrol 100 room thermostat (hard wired)
7170149	Vitotrol 100 UTA programmable room thermostat 24h analogue (hard wired)
7408012	Room temperature sensor (hard wired)
Z008341	Vitotrol 200A remote control with LCD display for 1 heating circuit (only with Vitotronic 200) (hard wired)
Z011471	Vitotrol 200 RF pack 1 (includes RF control and receiver) for Vitodens 200/222/242 (only in conjunction with weather compensation Vitotronic 200)
Z011219	Vitotrol 200 RF remote control unit c/w LCD display (to be used with Vitotronic 200 only)
Z008342	Vitotrol 300A remote control with LCD display for up to 3 heating circuits (only with Vitotronic 200) (hard wired)
7438537	Room temperature sensor (optional for Vitotrol 300A - only)
Z011413	Vitotrol 200 RF receiver unit (only in conjunction with weather compensation Vitotronic 200)
7661174	Vitotronic 100 HC1B const temp, no programmer
7661470	Vitotronic 200 HO2B weather compensated controller
7637691	Vitoconnect 100 OPTO 1 wifi modem for remote monitoring
Z011396	Vitocom 100 (Type GSM 2) for remote control via GSM/mobile phone network (excl SIM card)
Z011224	Vitocom 100 LAN 1 with LON module
Flues	
7411961	Telescopic flue kit Ø 60/100 mm
7441467	Standard concentric 1 m horizontal flue kit Ø 60/100 mm (1000 mm black terminal, 87° bend)
7667547	Standard concentric 1.75 m horizontal flue kit Ø 60/100 mm
7373230	Standard concentric vertical flue terminal Ø 60/100 mm
7373223	Standard concentric 0.5 m flue extension pipe Ø 60/100 mm
7373224	Standard concentric 1 m flue extension pipe Ø 60/100 mm
7373225	Standard concentric 1.95 m flue extension pipe Ø 60/100 mm
7667546	Standard concentric 3 m flue extension pipe Ø 60/100 mm
7373226	Standard concentric 87° flue elbow Ø 60/100 mm
7373227	Standard concentric 45° flue elbow Ø 60/100 mm (pair)
7176762	Standard concentric flue mounting clip Ø 100 mm
7337276	Terminal guard
7373238	Plume management kit
7373266	Flue bend 45° Ø 60 mm (pair)
7373267	Flue bend 87° Ø 60 mm
7373268	Plume kit 1 m flue extension Ø 60 mm
7246572	Fixing clamps - 60 mm
7452499	Roof tile Ø 125 black (for 60/100 mm flue system)
7452500	Roof tile Ø 125 red (for 60/100 mm flue system)
7426187	Flat Roof Collar Alu D=125 H=250 S
ZK00028	Chimney flue kit 60/100 - 12.5 m/room sealed
ZK00029	Chimney flue kit Ø 60/100 mm - 12.5 m/open flued (for longer flue lengths upgrade to Ø 80/125 mm)
7502602	Chimney kit for recess installation 60/100 with flexi 60 mm
7502603	Chimney kit for recess installation 60/100 with flexi 80 mm
7590109	Open flued water protection cap
7373240	Flue adaptor 60/100 to 80/125 mm

For all other accessories please see page 25



Weather compensation control features a 5" colour touchscreen with energy cockpit



200-W showing components



10 Year Warranty

on all stainless steel heat exchangers for gas condensing boilers up to 150 kW

Gas condensing
technology

Vitodens 222-F DHW Storage
1.8 to 35 kW

3 year comprehensive
warranty as standard
5 years if fitted by a Viessmann
Trained Installer
Option to increase up to 10 years*



VITODENS 222-F DHW STORAGE

This storage combined floor standing condensing boiler is designed specifically for modernising heating systems and replacing older gas fired boilers and DHW cylinders

Take advantage of these benefits

- Floorstanding gas condensing storage combi boiler in standard kitchen unit dimensions
- High level of DHW convenience thanks to an integral loading cylinder
- Durable and efficient thanks to the Inox-Radial heat exchanger
- Power saving high efficiency pump
- Easy to operate Vitotronic control unit with 5 inch colour touchscreen
- Control via app and internet (with optional Vitoconnect 100 WiFi adaptor)
- Combined PRV and condensate connection, for fast and simple installation
- Energy efficiency class: A
- Energy efficiency class, DHW heating: A

Alternative solutions for different degrees of water hardness

The enamelled loading cylinders with 100 litres or 130 litres capacity (type B2TB) provide a high level of DHW convenience. Where drawing hot water is concerned, this volume is comparable to a separate 350 litre DHW cylinder. The water heated to the required temperature continually charges the loading cylinder and is therefore

immediately available. Sensors ensure a uniform temperature.

Automatic combustion control reduces costs

All Viessmann gas condensing boilers feature the integral Lambda Pro Control Plus combustion controller. It automatically adapts to the different properties of different gas types (natural gas E/L, LPG, biogas) and ensures consistently high energy efficiency. Lambda Pro Control Plus helps to keep maintenance costs down.

Convenient control via app

Controlling the heating centre is particularly convenient via app and the Vitoconnect 100 WiFi adaptor. This establishes the connection to the home router and enables access to the Vitodens 222-F via the internet from a smartphone or tablet computer. The ViCare app controls one heating circuit; for up to three heating circuits, use the Vitotrol Plus app.

Extremely easy to maintain

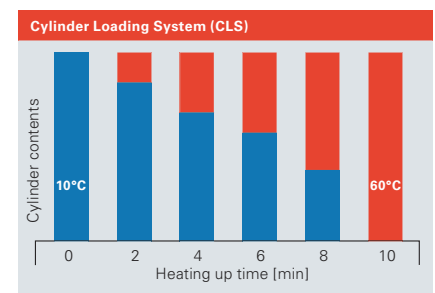
By selecting this boiler, the user will also benefit from low maintenance costs: All components are accessible from the front, no side clearance for servicing is

required. When controlling the Vitodens 222-F via ViCare or the Vitotrol Plus app, the contractor can automatically be notified in the event of a fault.

Cylinder Loading System (CLS)

Most unvented cylinders use a heating coil to heat up the cylinder. The CLS technology replaces the coil with a plate heat exchanger. A DHW pump circulates the cold water from the bottom of the cylinder, through the plate heat exchanger and puts the hot water back to the top of the cylinder.

* Viessmann Trained Installers can offer their customers an extended warranty option up to 10 years.



Boilers

Part No.	Description
B2TB115	Vitodens 222-F 19 kW Storage combi (Weather comp)
B2TB116	Vitodens 222-F 26 kW Storage combi (Weather comp)
B2TB117	Vitodens 222-F 35 kW Storage combi (Weather comp)
7348566	Standard top connection set
7350854	Standard RH or LH side connection set
Controls	
7141709	Vitotrol 100 room thermostat (hard wired)
7170149	Vitotrol 100 UTA programmable room thermostat 24h analogue (hard wired)
7408012	Room temperature sensor (hard wired)
Z008341	Vitotrol 200A remote control with LCD display for 1 heating circuit (only with Vitotronic 200) (hard wired)
Z011471	Vitotrol 200 RF pack 1 (includes RF control and receiver) for Vitodens 200/222/242 (only in conjunction with weather compensation Vitotronic 200)
Z011219	Vitotrol 200 RF remote control unit c/w LCD display (to be used with Vitotronic 200 only)
Z008342	Vitotrol 300A remote control with LCD display for up to 3 heating circuits (only with Vitotronic 200) (hard wired)
7438537	Room temperature sensor (optional for Vitotrol 300A - only)
Z011413	Vitotrol 200 RF receiver unit (only in conjunction with weather compensation Vitotronic 200)
7661174	Vitotronic 100 HC1B const temp, no programmer
7661470	Vitotronic 200 HO2B weather compensated controller
7637691	Vitoconnect 100 OPTO1 wifi modem for remote monitoring
Z011396	Vitocom 100 (Type GSM 2) for remote control via GSM/mobile phone network (excl SIM card)
Z011224	Vitocom 100 LAN 1 with LON module (not for Vitodens 100 range)
Flues	
7373230	Standard concentric vertical flue terminal Ø 60/100 mm
7441467	Standard concentric 1 m horizontal flue kit Ø 60/100 mm (1000 mm black terminal, 87° bend)
7667547	Standard concentric 1.75 m horizontal flue kit 60/100 mm
7373223	Standard concentric 0.5 m flue extension pipe Ø 60/100 mm
7373224	Standard concentric 1 m flue extension pipe Ø 60/100 mm
7373225	Standard concentric 1.95 m flue extension pipe Ø 60/100 mm
7667546	Standard concentric 3 m flue extension pipe 60/100 mm
7373226	Standard concentric 87° flue elbow Ø 60/100 mm
7373227	Standard concentric 45° flue elbow Ø 60/100 mm (pair)
7176762	Standard concentric flue mounting clip Ø 100 mm
7337276	Terminal guard
7373238	Plume management kit
7373266	Flue bend 45° Ø 60 mm (pair)
7373267	Flue bend 87° Ø 60 mm
7373268	Plume kit 1 m flue extension Ø 60 mm
7246572	Fixing clamps - 60 mm
7452499	Roof tile Ø 125 black (for 60/100 mm flue system)
7452500	Roof tile Ø 125 red (for 60/100 mm flue system)
7426187	Flat Roof Collar Alu D=125 H=250 S
ZK00028	Chimney flue kit 60/100 - 12.5 m/room sealed
ZK00029	Chimney flue kit Ø 60/100 mm - 12.5 m open flued (for longer flue lengths upgrade to Ø 80/125 mm)
7502602	Chimney kit for recess installation 60/100 with flexi 60 mm
7502603	Chimney kit for recess installation 60/100 with flexi 80 mm
7590109	Open flued water protection cap
7373240	Flue adaptor 60/100 to 80/125 mm

For all other accessories please see page 25



Weather compensation control features a 5" colour touchscreen with energy cockpit



Two cylinder sizes available
19/26 kW models 100 litres
35 kW model 130 litres



10 Year Warranty

on all stainless steel heat exchangers for gas condensing boilers up to 150 kW

Gas condensing
technology

Vitodens 242-F Solar DHW Storage
1.9 to 26 kW

2-year comprehensive
warranty as standard



VITODENS 242-F SOLAR DHW STORAGE

This storage combined floor standing condensing boiler is designed specifically for direct connection to a solar thermal system. Incorporating three technologies in one; gas condensing boiler, DHW cylinder and solar control package, for where space is at a premium

Take advantage of these benefits

- Gas condensing storage combi boiler with integral solar cylinder, solar coverage: > 50 %
- Easy to operate Vitotronic control unit with 5 inch colour touchscreen
- Control via app and internet (with optional Vitoconnect 100 WiFi adaptor)
- High heating and DHW convenience including solar integration
- MatriX cylinder burner with Lambda Pro Control combustion controller for permanently high efficiency and clean combustion
- With a floor area of just 0.4 m², this storage combi boiler takes up only a relatively small amount of space, so can fit into any recess.
- Combined PRV and condensate connection, for fast and simple installation
- Energy efficiency class: A
- Energy efficiency class, DHW heating: A

High DHW convenience

For particularly high DHW convenience, the gas condensing boiler is equipped with a dual mode enamelled DHW loading cylinder with 170 litres capacity. The water heated to the required

temperature is continually charged and therefore immediately available. Sensors ensure uniform temperature heating. In the event of higher DHW demand, the MatriX cylinder burner automatically starts and maintains the required water temperature.

Automatic combustion control reduces costs

All Viessmann gas condensing boilers feature the integral Lambda Pro Control Plus combustion controller. It automatically adapts to the quality of different gas types (natural gas E/L, LPG, biogas) and ensures consistently high energy efficiency. Lambda Pro Control Plus helps to keep maintenance costs down.

Convenient control via app

Controlling the heating centre is particularly convenient via app and the Vitoconnect 100 WiFi adaptor. This establishes the connection to the home router and enables access to the Vitodens 242-F via the internet from a smartphone or tablet computer. The ViCare app controls one heating circuit; for up to three heating circuits, use the Vitotrol Plus app.

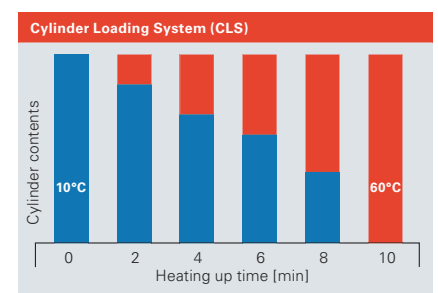
Extremely easy to maintain

By selecting this boiler, the user will also benefit from

low maintenance costs: All components are accessible from the front, no side clearance for servicing is required. When controlling the Vitodens 242-F via ViCare or the Vitotrol Plus app, the contractor can automatically be notified in the event of a fault.

Cylinder Loading System (CLS)

Most unvented cylinders use a heating coil to heat up the cylinder. The CLS technology replaces the coil with a plate heat exchanger. A DHW pump circulates the cold water from the bottom of the cylinder, through the plate heat exchanger and puts the hot water back to the top of the cylinder.



Boilers

Part No.	Description
B2UB060	Vitodens 242-F 19 kW Heating Tower
B2UB061	Vitodens 242-F 26 kW Heating Tower
7348552	Standard top connection set
7347985	Standard RH or LH side connection set
Controls	
7141709	Vitotrol 100 room thermostat (hard wired)
7170149	Vitotrol 100 UTA programmable room thermostat 24h analogue (hard wired)
7408012	Room temperature sensor (hard wired)
Z008341	Vitotrol 200A remote control with LCD display for 1 heating circuit (only with Vitotronic 200) (hard wired)
Z011471	Vitotrol 200 RF pack 1 (includes RF control and receiver) for Vitodens 200/222/242 (only in conjunction with weather compensation Vitotronic 200)
Z011219	Vitotrol 200 RF remote control unit c/w LCD display (to be used with Vitotronic 200 only)
Z008342	Vitotrol 300A remote control with LCD display for up to 3 heating circuits (only with Vitotronic 200) (hard wired)
7438537	Room temperature sensor (optional for Vitotrol 300A - only)
Z011413	Vitotrol 200 RF receiver unit (only in conjunction with weather compensation Vitotronic 200)
7661174	Vitotronic 100 HC1B const temp, no programmer
7661470	Vitotronic 200 HO2B weather compensated controller
7637691	Vitoconnect 100 OPTO1 wifi modem for remote monitoring
Z011396	Vitocom 100 (Type GSM 2) for remote control via GSM/mobile phone network (excl SIM card)
Z011224	Vitocom 100 LAN 1 with LON module (not for Vitodens 100 range)
Flues	
7373230	Standard concentric vertical flue terminal Ø 60/100 mm
7441467	Standard concentric 1 m horizontal flue kit Ø 60/100 mm (1000 mm black terminal, 87° bend)
7667547	Standard concentric 1.75 m horizontal flue kit 60/100 mm
7373223	Standard concentric 0.5 m flue extension pipe Ø 60/100 mm
7373224	Standard concentric 1 m flue extension pipe Ø 60/100 mm
7373225	Standard concentric 1.95 m flue extension pipe Ø 60/100 mm
7667546	Standard concentric 3 m flue extension pipe 60/100 mm
7373226	Standard concentric 87° flue elbow Ø 60/100 mm
7373227	Standard concentric 45° flue elbow Ø 60/100 mm (pair)
7176762	Standard concentric flue mounting clip Ø 100 mm
7337276	Terminal guard
7373238	Plume management kit
7373266	Flue bend 45° Ø 60 mm (pair)
7373267	Flue bend 87° Ø 60 mm
7373268	Plume kit 1 m flue extension Ø 60 mm
7452499	Roof tile Ø 125 red (for 60/100 mm flue system)
7452500	Roof tile Ø 125 red (for 60/100 mm flue system)
7426187	Flat Roof Collar Alu D=125 H=250 S
ZK00028	Chimney flue kit 60/100 - 12.5 m / room sealed
ZK00029	Chimney flue kit Ø 60/100 mm - 12.5 m / open flued (for longer flue lengths upgrade to Ø 80/125 mm)
7502602	Chimney kit for recess installation 60/100 with flexi 60 mm
7502603	Chimney kit for recess installation 60/100 with flexi 80 mm
7590109	Open flued water protection cap
7373240	Flue adaptor 60/100 to 80/125 mm

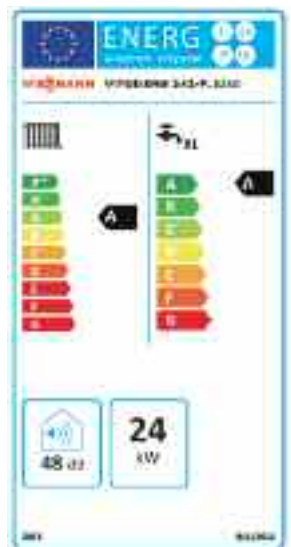
For all other accessories please see page 25



Weather compensation control features a 5" colour touchscreen with energy cockpit



Cylinder in 242-F includes solar coil



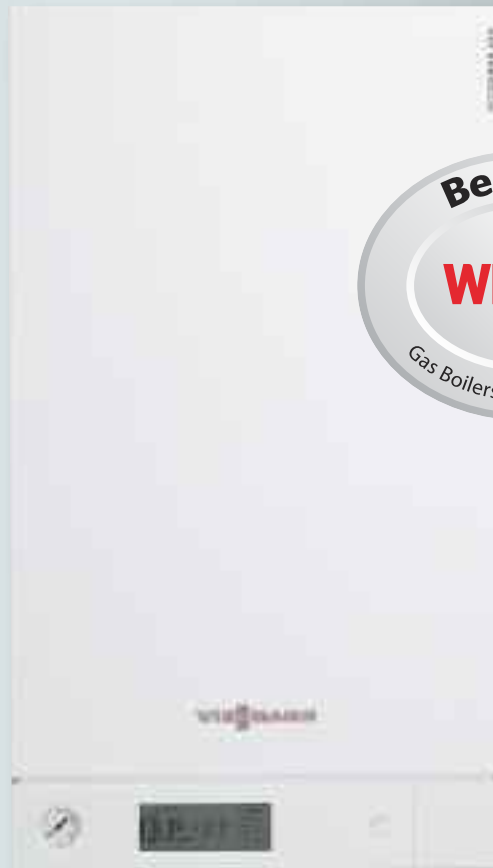
10 Year Warranty

on all stainless steel heat exchangers for gas condensing boilers up to 150 kW

Gas condensing
technology

Vitodens 100-W Combi and System
4.7 to 35 kW

5 year comprehensive
warranty as standard
Option to increase up to 10 years*



Vitodens 100-W 30 kW Combi
reviewed as a Which? Best Buy

VITODENS 100-W COMBI AND SYSTEM

With its compact dimensions, low weight and quiet operation, the Vitodens 100-W will integrate effortlessly into any living space.

Take advantage of these benefits

- SEDBUK 2009 seasonal efficiency 89.5%
- Ideal as a replacement for older appliances due to low installed height and installation space for adaptation to existing systems
- Low operating noise through extended modulation ratio: up to 1:6
- Modulating stainless steel cylinder burner
- User friendly control via backlit LCD touchscreen (option for control via room thermostats)
- Straightforward access from the front, so no need to leave space at side for maintenance
- Also approved for multiple connections to stacks in multi storey buildings
- Combined PRV and condensate connection, for fast and simple installation

With their compact dimensions, low weight and quiet operation, the attractively priced Vitodens 100-W gas condensing boilers will integrate effortlessly into any living space. The modulating ratio over the entire output range is up to 1:6. This high ratio makes these

boilers particularly suitable for use in small apartments and well insulated buildings. The user benefits from fewer appliance start-ups and therefore less operating noise. Because a lower level of stress is placed upon the appliance, the service life of components is consequently extended.

Stainless steel heat exchanger

As is the case with all Viessmann gas condensing boilers, the Vitodens 100-W is equipped with stainless steel Inox-Radial heat exchangers. This technology brings with it an extremely high efficiency rate of 98 percent and exceptionally reliable and efficient operation during its long service life. Viessmann guarantees the Inox-Radial heat exchanger for ten years against leaks resulting from corrosion.

The touchscreen improves user friendliness

The Vitodens 100-W wall mounted gas condensing boilers are controlled by the new, backlit LCD touchscreen, which makes it easy to use and read in dark environments.

Viessmann 4-pipe system

Viessmann Vitodens system boilers up to 35 kW installed together with a Vitocell 200 or 300 unvented cylinder are the perfect combination to meet G3 building regulations without the need for an energy cut-off valve and cylinder overheat thermostat; these are integrated into the boiler (see page 18).

* Viessmann Trained Installers can offer their customers an extended warranty option up to 10 years.



Boilers

Part No.	Description
B1KC023	Vitodens 100-W 26 kW Combi boiler
B1KC024	Vitodens 100-W 30 kW Combi boiler
B1KC025	Vitodens 100-W 35 kW Combi boiler
B1HC028	Vitodens 100-W 19 kW System boiler
B1HC029	Vitodens 100-W 26 kW System boiler
B1HC030	Vitodens 100-W 30 kW System boiler
B1HC031	Vitodens 100-W 35 kW System boiler
Controls	
7511618	Vitotrol 100 OpenTherm programmable room controller, 7 day, single channel (load compensation), (hard wired)
Z013877	Mixer extension kit without Vitotrol 100 Open Therm (OT)
Z013919	Mixer extension kit with one Vitotrol 100 Open Therm (OT)
Z013920	Mixer extension kit with two Vitotrol 100 Open Therm (OT)
7141709	Vitotrol 100 room thermostat. (hard wired)
7170149	Vitotrol 100 UTA programmable room thermostat 24h analogue. (hard wired)
7522678	Analogue plug in time clock for Vitodens 100-W WB1C/B1HA/B1KA/B1HC/B1KC/B1LD
7454521	Vitotrol 100 UTA RF 1 channel wireless for Vitodens 100-W WB1C/B1HA/B1KA/B1HC/B1KC/B1LD
7537234	Vitotrol 100 UTDB RF2 wireless for Vitodens 100-W WB1C/B1HA/B1KA/B1HC/B1KC/B1LD
Z007691	Vitotrol 100 UTDB programmable room thermostat - 7 day, single channel (hard wired)
Z007692	Vitotrol 100 UTDB RF wireless programmable room thermostat - 7 day, single channel
ZK02485	Outside temperature sensor for weather compensated operation
Flues	
7411961	Telescopic flue kit Ø 60/100 mm
7441467	Standard concentric 1 m horizontal flue kit Ø 60/100 mm (1000 mm black terminal, 87° bend)
7667547	Standard concentric 1.75 m horizontal flue kit 60/100 mm
7373230	Standard concentric vertical flue terminal Ø 60/100 mm
7373223	Standard concentric 0.5 m flue extension pipe Ø 60/100 mm
7373224	Standard concentric 1 m flue extension pipe Ø 60/100 mm
7373225	Standard concentric 1.95 m flue extension pipe Ø 60/100 mm
7667546	Standard concentric 3 m flue extension pipe 60/100 mm
7373226	Standard concentric 87° flue elbow Ø 60/100 mm
7373227	Standard concentric 45° flue elbow Ø 60/100 mm (pair)
7176762	Standard concentric flue mounting clip Ø 100 mm
7337276	Terminal guard
7373238	Plume management kit
7373266	Flue bend 45° Ø 60 mm (pair)
7373267	Flue bend 87° Ø 60 mm
7373268	Plume kit 1 m flue extension Ø 60 mm
7246572	Fixing clamps - 60 mm
7452499	Roof tile Ø 125 black (for 60/100 mm flue system)
7452500	Roof tile Ø 125 red (for 60/100 mm flue system)
7426187	Flat Roof Collar Alu D=125 H=250 S
ZK00028	Chimney flue kit 60/100 - 12.5 m/room sealed
ZK00029	Chimney flue kit Ø 60/100 mm - 12.5 m/open flued (for longer flue lengths upgrade to Ø 80/125 mm)
7502602	Chimney kit for recess installation 60/100 with flexi 60 mm
7502603	Chimney kit for recess installation 60/100 with flexi 80 mm
7590109	Open flued water protection cap
7373240	Flue adaptor 60/100 to 80/125 mm

For all other accessories please see page 25



The touchscreen improves user friendliness

The Vitodens 100-W wall mounted gas condensing boilers are controlled by the new, backlit LCD touchscreen, which makes it easy to use and read in dark environments.



100-W showing components



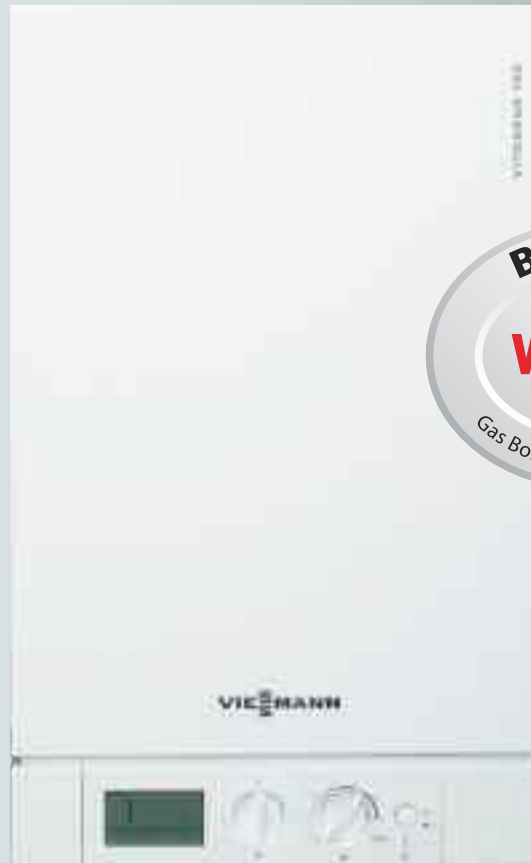
10 Year Warranty

on all stainless steel heat exchangers for gas condensing boilers up to 150 kW

Gas condensing
technology

Vitodens 100-W Open Vent
7.9 to 35 kW

5 year comprehensive
warranty as standard
Option to increase up to 10 years*



Vitodens 100-W 26 kW Open Vent
reviewed as a Which? Best Buy

VITODENS 100-W OPEN VENT

Wall mounted gas fired condensing boiler, with modulating MatriX cylinder burner and Inox-Radial heat exchanger, for open and balanced flue operation.

Take advantage of these benefits

- For natural gas and LPG (conversion kit part no. 7828769)
- Permissible boiler operating pressure 3 bar
- Modulation ratio of 1:3
- Room thermostatic and weather compensated control unit options
- Min static head 1 m
- No pump overrun required

With a depth of only 285 mm (340 mm for 35 kW model) the Vitodens 100-W Open Vent boiler is perfectly suited for integration into standard kitchen cupboards. It can also be used in a vast number of other applications where there is only limited space available.

Inox-Radial heat exchanger

The corrosion-resistant stainless steel Inox-Radial heat exchanger with particularly strong walls is extremely durable and achieves efficiency levels of up to 97%.

Quiet in operation

The boiler's special design ensures the very low operating noise of 48 dB maximum (13 & 16 kW) which is perfectly acceptable even in the kitchen.

Optional weather compensation

With a simple up-grade the Vitodens 100-W Open Vent can operate in weather compensated mode without incurring a costly heating system modification. Weather compensation acts like an autopilot as it detects outside temperature changes and automatically adjusts the flow temperature of the boiler, thus achieving gas savings of up to 12%.

5 year parts and labour warranty

The Vitodens 100-W Open Vent comes with a standard 5 year parts and labour warranty. The stainless steel Inox-Radial heat exchanger features a 10 year anti corrosion warranty.

Ideal for Y and S plan heating systems

Whilst being specifically designed for open vent heating systems, the Vitodens 100-W Open Vent is suitable for sealed systems using an additional expansion vessel and safety valve. The boiler also shares the various flue options available for the Combination and System models of the Vitodens 100-W gas condensing boiler range.

* Viessmann Trained Installers can offer their customers an extended warranty option up to 10 years.



Boilers

Part No.	Description
WB1B316	Vitodens 100-W 13 kW Compact (Open Vent) NG & LPG
WB1B317	Vitodens 100-W 16 kW Compact (Open Vent) NG & LPG
WB1B318	Vitodens 100-W 19 kW Compact (Open Vent) NG & LPG
WB1B319	Vitodens 100-W 26 kW Compact (Open Vent) NG & LPG
WB1B491	Vitodens 100-W 35 kW Compact (Open Vent) NG & LPG
Controls	
7141709	Vitotrol 100 room thermostat (hard wired)
7522677	Analogue plug in time clock for Vitodens 100-W WB1B
7296064	Vitotrol 100 UTA RF wireless plug-in programmable room thermostat, 1 channel, 24h WB1B (only in conjunction with weather compensation)
Z007693	Vitotrol 100 UTDB RF2 wireless plug-in programmable room thermostat, 2 channel, 7 day WB1B (only in conjunction with weather compensation)
Z007933	Weather compensation outdoor sensor (incl DHW demand box)
Flues	
7411961	Telescopic flue kit Ø 60/100 mm
7441467	Standard concentric 1 m horizontal flue kit Ø 60/100 mm (1000 mm black terminal, 87° bend)
7667547	Standard concentric 1.75 m horizontal flue kit 60/100 mm
7373230	Standard concentric vertical flue terminal Ø 60/100 mm
7373223	Standard concentric 0.5 m flue extension pipe Ø 60/100 mm
7373224	Standard concentric 1 m flue extension pipe Ø 60/100 mm
7373225	Standard concentric 1.95 m flue extension pipe Ø 60/100 mm
7667546	Standard concentric 3 m flue extension pipe 60/100 mm
7373226	Standard concentric 87° flue elbow Ø 60/100 mm
7373227	Standard concentric 45° flue elbow Ø 60/100 mm (pair)
7176762	Standard concentric flue mounting clip Ø 100 mm
7337276	Terminal guard
7373238	Plume management kit
7373266	Flue bend 45° Ø 60 mm (pair)
7373267	Flue bend 87° Ø 60 mm
7373268	Plume kit 1 m flue extension Ø 60 mm
7246572	Fixing clamps - 60 mm
7452499	Roof tile Ø 125 black (for 60/100 mm flue system)
7452500	Roof tile Ø 125 red (for 60/100 mm flue system)
7426187	Flat Roof Collar Alu D=125 H=250 S
ZK00028	Chimney flue kit 60/100 - 12.5 m/room sealed
ZK00029	Chimney flue kit Ø 60/100 mm - 12.5 m/open flued (for longer flue lengths upgrade to Ø 80/125 mm)
7502602	Chimney kit for recess installation 60/100 with flexi 60 mm
7502603	Chimney kit for recess installation 60/100 with flexi 80 mm
7590109	Open flued water protection cap
7373240	Flue adaptor 60/100 to 80/125 mm

For all other accessories please see page 25



Inox-Radial heat exchanger



100-W Open Vent showing components



10 Year Warranty

on all stainless steel heat exchangers for gas condensing boilers up to 150 kW

Gas condensing
technology

Vitodens 111-W DHW Storage
4.7 to 35 kW

5 year comprehensive
warranty as standard
Option to increase up to 10 years*



Vitodens 111-W 35 kW reviewed as
a Which? Best Buy

VITODENS 111-W DHW STORAGE

Wall mounted gas fired condensing boiler with integral cylinder for the highest DHW convenience.

Take advantage of these benefits

- Compact dimensions save space, particularly when installed in a living area
- SEDBUK 2009 seasonal efficiency 89.5%
- Ideal as a replacement for older appliances due to low installed height and installation space for adaptation to existing systems
- Low operating noise through extended modulation ratio
- Modulation ratio: up to 1:6
- Modulating stainless steel cylinder burner
- User friendly control via backlit LCD touchscreen (option for control via room thermostats)
- 46 litre storage, equivalent to a 150 litre unvented cylinder due to CLS
- Combined PRV and condensate connection, for fast and simple installation
- Straightforward access from the front, so no need to leave space at side for maintenance
- Also approved for multiple connections to stacks in multi storey buildings

The Vitodens 111-W is also equipped with a stainless steel loading cylinder that boasts a 46 litre capacity.

The modulating ratio over the entire output range is up to 1:6. This high ratio makes these boilers particularly suitable for use in small apartments and well insulated buildings. The user benefits from fewer appliance start-ups and therefore less operating noise. Because a lower level of stress is placed upon the appliance, the service life of components is consequently extended.

Stainless steel heat exchanger

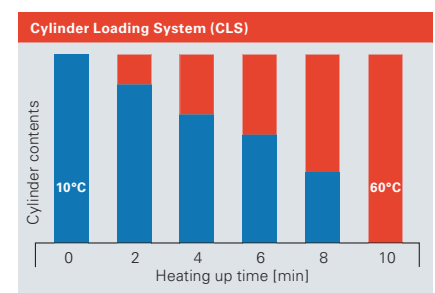
As is the case with all Viessmann gas condensing boilers, the Vitodens 111-W is equipped with a stainless steel Inox-Radial heat exchanger. This technology brings with it an extremely high efficiency rate of 98 percent and exceptionally reliable and efficient operation during its long service life.

Viessmann guarantees the Inox-Radial heat exchanger for ten years against leaks resulting from corrosion.

Cylinder Loading System (CLS)

Most unvented cylinders use a heating coil to heat up the cylinder. The CLS technology replaces the coil with a plate heat exchanger. A DHW pump circulates the cold water from the bottom of the cylinder, through the plate heat exchanger and puts the hot water back to the top of the cylinder.

* Viessmann Trained Installers can offer their customers an extended warranty option up to 10 years.



Boilers

Part No.	Description
B1LD009	Vitodens 111-W 26 kW with integrated 46l un-vented cylinder
B1LD010	Vitodens 111-W 35 kW with integrated 46l un-vented cylinder
Controls	
7511618	Vitotrol 100 OpenTherm programmable room controller, 7 day, single channel (load compensation), (hard wired)
Z013877	Mixer extension kit without Vitotrol 100 Open Therm (OT)
Z013919	Mixer extension kit with one Vitotrol 100 Open Therm (OT)
Z013920	Mixer extension kit with two Vitotrol 100 Open Therm (OT)
7141709	Vitotrol 100 room thermostat. (hard wired)
7170149	Vitotrol 100 UTA programmable room thermostat 24h analogue. (hard wired)
7522678	Analogue plug in time clock for Vitodens 100-W WB1C/B1HA/B1KA/B1HC/B1KC/B1LD
7454521	Vitotrol 100 UTA RF 1 channel wireless for Vitodens 100-W WB1C/B1HA/B1KA/B1HC/B1KC/B1LD
7537234	Vitotrol 100 UTDB RF2 wireless for Vitodens 100-W WB1C/B1HA/B1KA/B1HC/B1KC/B1LD
Z007691	Vitotrol 100 UTDB programmable room thermostat - 7 day, single channel (hard wired)
ZK02485	Outside temperature sensor for weather compensated operation
Flues	
7411961	Telescopic flue kit Ø 60/100 mm
7441467	Standard concentric 1 m horizontal flue kit Ø 60/100 mm (1000 mm black terminal, 87° bend)
7667547	Standard concentric 1.75 m horizontal flue kit 60/100 mm
7373230	Standard concentric vertical flue terminal Ø 60/100 mm
7373223	Standard concentric 0.5 m flue extension pipe Ø 60/100 mm
7373224	Standard concentric 1 m flue extension pipe Ø 60/100 mm
7373225	Standard concentric 1.95 m flue extension pipe Ø 60/100 mm
7667546	Standard concentric 3 m flue extension pipe 60/100 mm
7373226	Standard concentric 87° flue elbow Ø 60/100 mm
7373227	Standard concentric 45° flue elbow Ø 60/100 mm (pair)
7176762	Standard concentric flue mounting clip Ø 100 mm
7337276	Terminal guard
7373238	Plume management kit
7373266	Flue bend 45° Ø 60 mm (pair)
7373267	Flue bend 87° Ø 60 mm
7373268	Plume kit 1 m flue extension Ø 60 mm
7246572	Fixing clamps - 60 mm
7452499	Roof tile Ø 125 black (for 60/100 mm flue system)
7452500	Roof tile Ø 125 red (for 60/100 mm flue system)
7426187	Flat Roof Collar Alu D=125 H=250 S
ZK00028	Chimney flue kit 60/100 - 12.5 m/room sealed
ZK00029	Chimney flue kit Ø 60/100 mm - 12.5 m/open flued (for longer flue lengths upgrade to Ø 80/125 mm)
7502602	Chimney kit for recess installation 60/100 with flexi 60 mm
7502603	Chimney kit for recess installation 60/100 with flexi 80 mm
7590109	Open flued water protection cap
7373240	Flue adaptor 60/100 to 80/125 mm

For all other accessories please see page 25

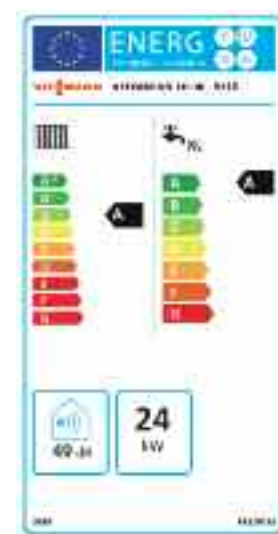


The touchscreen improves user friendliness

Vitodens 100-W wall mounted gas condensing boilers are controlled by the new, backlit LCD touchscreen, which makes it easy to use and read in dark environments.



111-W showing components



10 Year Warranty

on all stainless steel heat exchangers for gas condensing boilers up to 150 kW

Gas condensing
technology

Vitodens 050-W Combi
5.9 to 35 kW

3 year comprehensive warranty
Option to increase up to 7 years*



Vitodens 050-W 29 kW Combi
reviewed as a Which? Best Buy

VITODENS 050-W COMBI

The Vitodens 050-W wall mounted gas condensing boiler offers excellent heating and DHW convenience with a particularly advantageous price/performance ratio.

Take advantage of these benefits

- Standard efficiency up to 97% (Hs)
- Highly durable and efficient through Inox-Radial stainless steel heat exchanger
- Modulating high efficiency stainless steel cylinder burner
- Easy to operate control with manual power limitation and provision for connecting modulating thermostats
- Combined PRV and condensate connection, for fast and simple installation
- Digital user interface with LCD display
- Suitable for weather compensation and/or open therm control operation
- High efficiency A rated pump

With the Vitodens 050-W, Viessmann now offers an attractively priced wall mounted gas condensing boiler with proven quality. An extensive range of accessories makes the Vitodens 050-W equally suitable for either new build or modernisation. It is offered with two DHW output ratings (5.9 to 29 and 8 to 35 kW), as a combi boiler with an integral instantaneous water heater. An electronic boiler control unit for thermostatic mode and weather compensated mode is already integrated into the Vitodens 050-W, along with a frost stat. The outside temperature sensor is available as an accessory.

Quiet and compact

The Vitodens 050-W features a particularly low level of operating noise and its components are accessible from the front for ease of service and maintenance. With a height of only 707 mm, the Vitodens 050-W is one of the smallest wall

mounted boilers in its class. Its compact dimensions recommend it as a replacement for outdated boilers in multi storey buildings – including up to five boilers on different floors connected to one vertical flue system.

Inox-Radial heat exchanger and cylinder burner made from stainless steel

The high quality stainless steel Inox-Radial heat exchanger efficiently converts the supplied energy into heat. Its efficiency (to DIN) is 97 percent (Hs) [gross cv] or according to SEDBUK > 89.1 % (2009). The stainless steel cylinder burner therefore consumes relatively little natural gas, with lower CO₂ emissions and less impact on the environment as a result.

* Viessmann Trained Installers can offer their customers an extended warranty option up to 7 years.

Boilers

Part No.	Description
BPJD030	Vitodens 050-W 29 kWBPJD
BPJD031	Vitodens 050-W 35 kWBPJD
Controls	
7537993	Vitotrol 100-W room thermostat (LV) (hard wired)
7537996	Vitotrol 100 UTA Programmable room thermostat 24HR (LV) (hard wired)
7537988	Analogue plug in time clock for Vitodens 050-W 1 channel
7552848	Vitotrol 100 UTA Wireless Plug-in Programmable room thermostat, 1 Channel 24 HR for Vitodens 050-W
7543788	Vitotrol 100 UTDB RF2 Wireless Plug-in Programmable room thermostat, 2 Channel 7 Day for Vitodens 050-W
7511618	Vitotrol 100 OpenTherm programmable room controller, 7 day, single channel (load compensation) (hard wired)
7543241	Outside temperature sensor for weather compensated operation
Flues	
7411961	Telescopic flue kit Ø 60/100 mm
7441467	Standard concentric 1 m horizontal flue kit Ø 60/100 mm (1000 mm black terminal, 87° bend)
7667547	Standard concentric 1.75 m horizontal flue kit 60/100 mm
7373230	Standard concentric vertical flue terminal Ø 60/100 mm
7373223	Standard concentric 0.5 m flue extension pipe Ø 60/100 mm
7373224	Standard concentric 1 m flue extension pipe Ø 60/100 mm
7373225	Standard concentric 1.95 m flue extension pipe Ø 60/100 mm
7667546	Standard concentric 3 m flue extension pipe 60/100 mm
7373226	Standard concentric 87° flue elbow Ø 60/100 mm
7373227	Standard concentric 45° flue elbow Ø 60/100 mm (pair)
7176762	Standard concentric flue mounting clip Ø 100 mm
7337276	Terminal guard
7373238	Plume management kit
7373266	Flue bend 45° Ø 60 mm (pair)
7373267	Flue bend 87° Ø 60 mm
7373268	Plume kit 1 m flue extension Ø 60 mm
7246572	Fixing clamps - 60 mm
7452499	Roof tile Ø 125 black (for 60/100 mm flue system)
7452500	Roof tile Ø 125 red (for 60/100 mm flue system)
7426187	Flat Roof Collar Alu D=125 H=250 S
ZK00028	Chimney flue kit 60/100 - 12.5 m / room sealed
ZK00029	Chimney flue kit Ø 60/100 mm - 12.5 m / open flued (for longer flue lengths upgrade to Ø 80/125 mm)
7502602	Chimney kit for recess installation 60/100 with flexi 60 mm
7502603	Chimney kit for recess installation 60/100 with flexi 80 mm
7590109	Open flued water protection cap
7373240	Flue adaptor 60/100 to 80/125 mm

For all other accessories please see page 25



Inox-Radial heat exchanger



050-W showing components



10 Year Warranty

on all stainless steel heat exchangers for gas condensing boilers up to 150 kW

4-pipe system



Viessmann Vitodens system boilers up to 35 kW installed together with a Vitocell 200 or 300 unvented cylinder are the perfect combination to meet G3 building regulations without the need for an energy cut-off valve and cylinder overheat thermostat; these are integrated into the boiler.

Installation time will be reduced by up to 1 day as the following are no longer required:

- Energy cut off valve or safety valve
- Expansion vessel and pump
- Gauge and cylinder overheat thermostat
- Part P certification

Compatibility with solar

As a manufacturer of the full range of renewable energy technologies all Viessmann boilers are 100% compatible with solar thermal panels. The Vitodens 200-W range has the added advantage of boiler suppression, when using Viessmann solar panels and a dual coil cylinder. This means that the hot water system will always take advantage of solar power, whenever solar energy is available and the boiler will only fire to 'top up' the DHW heating process when absolutely necessary – resulting in significant fuel savings.

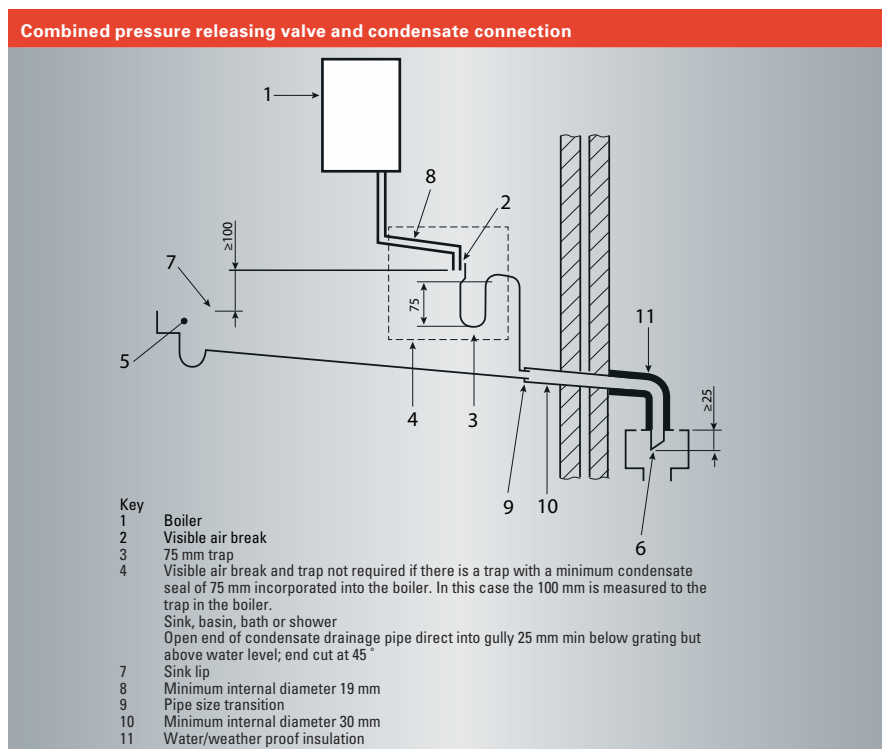
Combined PRV and condensate connection

Installation is faster, simpler and more cost-effective as pressure release valve (PRV) and condensate connection are combined, and long runs of additional piping are no longer required.

- Fast and simple installation, saving time and expense
- Built in safety device meaning no discharge pipe for DHW cylinder is required
- No exterior PRV drip/stain as it feeds into a single cold water pipe
- One less pipe to penetrate the building fabric

All Vitodens domestic boilers (exc Vitodens 100-W Open Vent) feature the combined PRV and condensate connection

- Vitodens 050-W
- Vitodens 100-W
- Vitodens 111-W
- Vitodens 200-W
- Vitodens 222-F
- Vitodens 242-F



Example of a generic installation with the combined PRV/condensate connection

VITOCCELL 200-V



The Vitocell 200 range of unvented hot water storage cylinders are indirectly heated cylinders designed for use with Vitodens system boilers (or UK standard boilers).

Model	Height (mm)	Diameter (mm)	kW rating of primary coil (kW)	Heat up time from 15°C to 60°C (min)*	Stand-by losses (kWh/24h)**	Expansion vessel	Part no.
200-V 90	732	550	16.5	17	0.89	12litre	7572707
200-V 120	920	550	18	21	1.00	12litre	7572708
200-V 150	1 107	550	18.5	25	1.20	18litre	7572709
200-V 180	1 295	550	19	30	1.30	18litre	7572710
200-V 210	1 493	550	25.6	32	1.60	24litre	7572711
200-V 250	1 733	550	27.1	36	1.80	24litre	7572712
200-V 300	2 020	550	25	38	2.00	40litre	7572713

* Approx re-heat time for 70% of cylinder contents from 15°C to 60°C using a 82°C flow
** Meets CHES Best practice requirements

VITOCCELL 200-B



Dual-mode domestic hot water cylinders work to heat the domestic hot water with separate indirect coils that are connected directly to the solar thermal system.

Model	Height (mm)	Dia (mm)	kW rating of primary coil (kW)	kW rating of solar coil (kW)	Heat up time from 15°C to 60°C (min)	Stand-by losses (kWh/24h)**	Expansion vessel	Part no.
VC 200-B 210	1 483	550	18.5	18.5	35	1.60	24 litre	7572714
VC 200-B 250	1 733	550	19	19	38	1.80	24 litre	7572715
VC 200-B 300	2 020	550	20.5	20.5	41	2.00	40 Litre	7572716

* Approx re-heat time for 70% of cylinder contents from 15°C to 60°C using a 82°C flow
** Meets CHES Best practice requirements

VITOCCELL 300-V



The Vitocell 300 range of unvented hot water storage cylinders are indirectly heated cylinders designed for use with Vitodens system boilers and characterised by the use of heavy gauge quality stainless steel.

The addition of a 30 mm polyester fibre fleece and 13 mm vacuum panel top result in the 160 and 200 litre models having an Energy Efficiency Class rating of A+.

		Vitocell 300-V	Vitocell 300-V
Single coil			
Volumes	litres	160/200	160/200/300/500
Material		SS 1.4521	SS 1.4521
Thickness/gauge	mm	2.5 - 2.8	2.5 - 2.8
Max. pressure	bar	16	16
Operating pressure	bar	10	10
Insulation		PUR	PUR
Heat loss in 24h	kW/hr	0.75	0.91
Height	mm	1189/1409	1189/1409/1734/1852
Width/diam.	mm	605	605
Overallwidth	mm	605/605	605/605/744/1084
Immersion heater	kW	3/6 (400V/230V)	3/6 (400V/230V)
Coil rating	kW	35	35
Weight (net)	kg	61.5/72.2	59.3/70.0/104.5/110.1
Expansion vessel type	litres	External vessel	External vessel
Energy Efficiency Class		A+	A

VITOCCELL 300-B

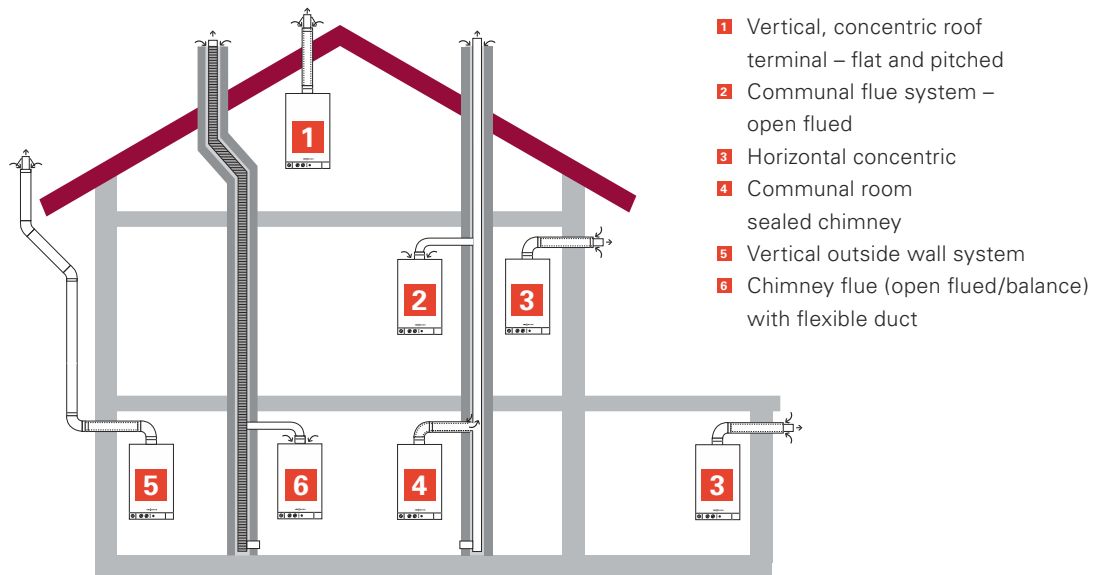


The Vitocell 300-B is a dual mode DHW cylinder with two indirect coils. Made from high alloy stainless steel, the Vitocell 300-B is a reliable and efficient solution for the integration of two energy sources. Available in two sizes, either 300 litres or 500 litres.

		Vitocell 300-B	Vitocell 300-B
Twin coil			
Volumes	litres	300	500
Material		SS 1.4571	SS 1.4571
Thickness/gauge	mm	2.8	2.8
Max. pressure	bar	16	16
Operating pressure	bar	10	10
Insulation		PUR	PUR
Heat loss in 24h	kW	1.17	1.17
Height	mm	1 790	1 790
Width/diam.	mm	633	633
Overall width	mm	700	700
Immersion heater	kW	2/6(400V)	3 (230V)
Coil rating	kW	54	54
Weight (net)	kg	100	100
Expansion vessel type	litres	External vessel	External vessel

Flue applications

Vitodens boilers can be installed in virtually all domestic applications, some examples are illustrated.



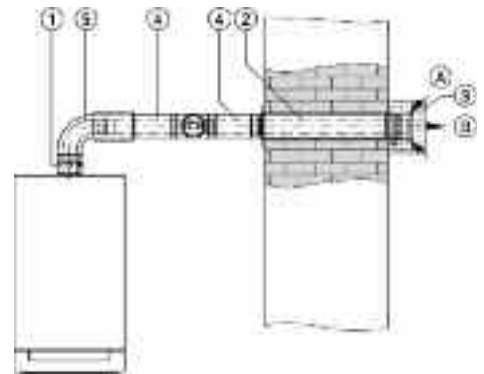
- 1 Vertical, concentric roof terminal – flat and pitched
- 2 Communal flue system – open flued
- 3 Horizontal concentric
- 4 Communal room sealed chimney
- 5 Vertical outside wall system
- 6 Chimney flue (open flued/balance) with flexible duct

The maximum flue length is the single biggest consideration. Maximum flue lengths are provided and have already allowed for 2 bends of 87° (including support bends). For each additional 90° elbow reduce the maximum flue length by 1 m, each additional 45° elbow by 0.5 m.

As a rule of thumb increasing the diameter of the flue from 60 mm to 80 mm will add approximately 15% to the maximum flue length, but please check with the Viessmann Technical Department if in doubt.

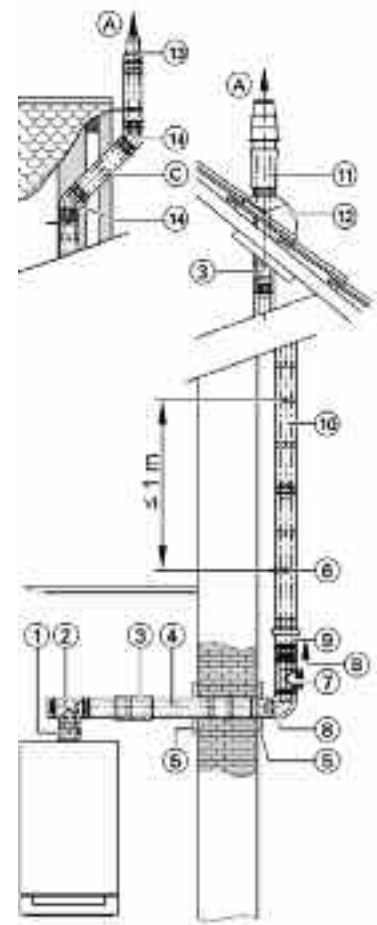
3 Horizontal wall terminal

Part no.	60/100	80/125
① Boiler flue connection		
② Balanced flue external wall connection (incl. wall bezels)	7441467	7435862
③ Protective grille	7337276	7189821
④ Balanced flue extension pipe		
1 m long	7373224	7194321
0.5 m long	7373223	7194320
⑤ Balanced flue bend		
87°	7373226	7194323
2 x 45°	7373227	7194324
Fixing clamp	7176762	7176664
Horizontal flue terminal kit	7441467	
Flue terminal 1 m, 2 x wall seals, Balanced flue bend 87°		



5 Routing over an external wall

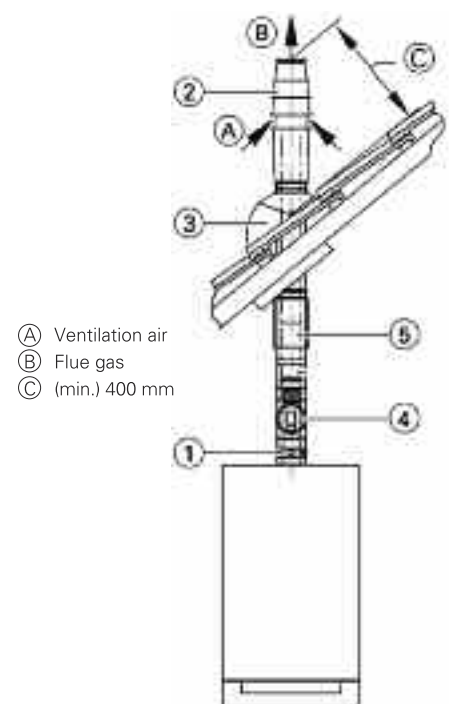
Part no.	60/100	80/125
① Boiler flue connection		
② Balanced flue inspection tee, 87° or Balanced flue inspection bend, 87°	7373229	7199782
③ Balanced flue sliding coupling (optional)	7373236	7194329
④ Balanced flue pipe 1.95 m long	7373225	7194322
1 m long	7373224	7194321
0.5 m long	7373223	7194320
⑤ Wall bezel	7176760	7176662
⑥ Fixing clamp	7176762	7176664
⑦ Balanced flue inspection piece, straight (optional)	7373228	7199781
External wall pack with	7373234	7194327
⑧ Balanced flue bend 87°		
⑨ Balanced flue air intake		
⑩ Balanced flue pipe 1.95 m long	7373225	7194322
1 m long	7373224	7194321
0.5 m long	7373223	7194320
⑪ Balanced flue roof outlet (with a high roof overhang above the roof) Black	7373230	7373271
Terracotta	7373231	7373272
⑫ Universal roof tile Lead Free Flashing Black	7452499	7452501
Lead Free Flashing Terracotta	7452500	7452502
⑬ External wall terminal (for a short roof overhang)	7176753	7176655
⑭ Balanced flue bend 45°	7373227	7194324
87°	7373226	7194323



- Ⓐ Flue gas
- Ⓑ Combustion air
- Ⓒ Step in the external wall routing for a short roof overhang

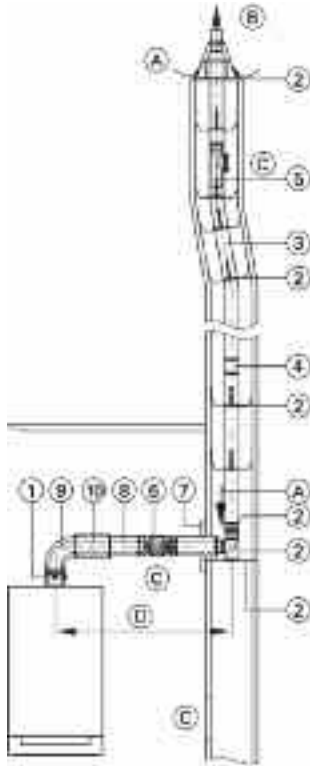
1 Vertical terminal for sloping or flat roofs

Part no.	60/100	80/125
① Boiler flue connection		
② Balanced flue roof outlet Black	7373230	7373271
Terracotta	7373231	7373272
③ Universal roof tile Lead Free Flashing Black	7452499	7452501
Lead Free Flashing Terracotta or Flat roof collar	7248017	7248017
④ Balanced flue inspection piece, straight (optional)	7373228	7199781
⑤ Balanced flue sliding coupling (optional)	7373236	7194329
Balanced flue bend 87°	7373226	7194323
2 x 45°	7373227	7194324
Balanced flue pipe 1 m long	7373224	7194321
0.5 m long	7373223	7194320
Fixing clamp	7176762	7176664



- Ⓐ Ventilation air
- Ⓑ Flue gas
- Ⓒ (min.) 400 mm

Flue location and ventilation

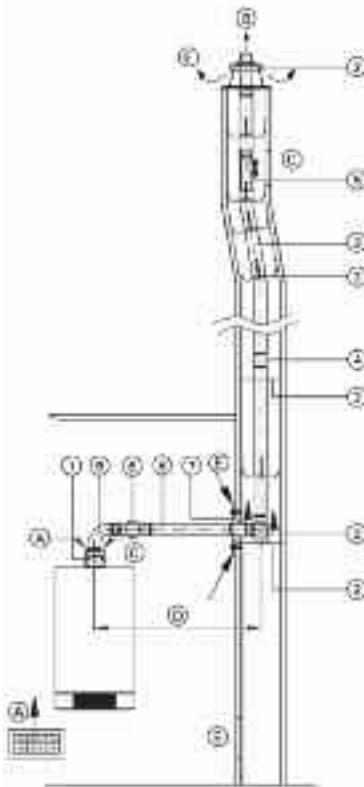


- (A) Combustion air
- (B) Flue gas
- (C) Inspection aperture
- (D) Connection piece

6 Balanced flue operation

Part no.	60/100	80/125
① Boiler flue connection		
② Standard shaft pack (PPS, flexible) comprising: <ul style="list-style-type: none"> ■ Support bend ■ Support rail ■ Shaft cover (PPS) ■ Spacers (5 pce.) or Standard shaft pack (metal/PPS, rigid) <ul style="list-style-type: none"> ■ Support bend ■ Support rail ■ Shaft cover (metal) ■ Terminal pipe (stainless steel) ■ Spacers (5 pce.) 	7248206	7248213
③ Flexible pipe , on a roll, 12.5 m long.	7190560	7147035
Flexible pipe , on a roll, 25 m long.	7248208	7248216
④ Connecting piece , for connecting residual lengths of the flexible flue pipe.	7248207	7248215
④ Connecting piece , for connecting residual lengths of the flexible flue pipe.	7248211	7248219
Pipe lowering attachment incl. 20 m rope.	7248212	7248214
⑤ Inspection piece , straight For installation in the flexible flue pipe.	7248210	7248218
⑥ Balanced flue inspection piece , straight.	7373228	7199781
⑦ Wall bezel	7176760	7176662
⑧ Balanced flue pipe		
1 m long.	7373224	7194321
0.5 m long.	7373223	7194320
⑨ Balanced flue bend 87°	7373226	7194323
Chimney flue kit (12.5 m) comprising: parts 2, 3, 7, 8, 9	ZK00028	ZK00030

2 Open flue operation



- (A) Ventilation air
- (B) Flue gas
- (C) Inspection port
- (D) Connection piece
- (E) Ventilation aperture

Part no.	60/100	80/125
① Boiler flue connection		
② Standard shaft pack (PPS, flexible) comprising: <ul style="list-style-type: none"> ■ Support bend ■ Support rail ■ Shaft cover (PPS) ■ Spacers (5 pce.) or Standard shaft pack (metal/PPS, rigid) <ul style="list-style-type: none"> ■ Support bend ■ Support rail ■ Shaft cover (metal) ■ Terminal pipe (stainless steel) ■ Spacers (5 pce.) 	7248206	7248213
③ Flexible pipe , on a roll, 12.5 m long.	7190560	7147035
Flexible pipe , on a roll, 25 m long.	7248208	7248216
④ Connecting piece , for connecting residual lengths of the flexible flue pipe.	7248207	7248215
④ Connecting piece , for connecting residual lengths of the flexible flue pipe.	7248211	7248219
Pipe lowering attachment incl. 25 m rope.	7248212	7248214
⑤ Inspection piece , straight For installation in the flexible flue pipe.	7248210	7248218
⑥ Inspection piece , straight	9373228	7248312
⑦ Vent bezel	7176728	7176634
⑧ Pipe		
1 m long	7373214	7194310
0.5 m long	7373215	7194311
⑨ Bend		
87°	7373218	7194314
45° (2 pce)	7373219	7194315
or Inspection tee 87°	7373217	7194313
Stainless steel extension for shaft cover 380 mm long (metal/PPS, rigid)	7373278	7373278
Chimney flue kit (12.5 m) comprising: parts 2, 3, 7, 8, 9	ZK00029	ZK00031

Flue lengths

2 Max. total flue length up to the boiler flue connection (at system temperature 50/30°C)						
4	Vitodens 050-W	Rated output range (kW)			6.5	8.8
		max. length (m) - system size 60/100			29.0	35.0
5	Vitodens 100-W	Rated output range (kW)			10.0	10.0
		max. length (m) - system size 60/100			19.0	17.0
6	Vitodens 100-W Open Vent	Rated output range (kW)	7.9	7.9	7.9	7.9
		max. length (m) - system size 60/100	13.0	16.0	19.0	26.0
	Vitodens 111-W	Rated output range (kW)	8/10	8/10	8/10	8/10
		max. length (m) - system size 60/100				6.5
	Vitodens 200-W	Rated output range (kW)			26.0	35.0
		max. length (m) - system size 60/100			19.0	15.0
	Vitodens 222-F	Rated output range (kW)	3.2	5.2	5.2	5.2
		max. length (m) - system size 60/100	20	20	15	15
	Vitodens 242-F	Rated output range (kW)	3.2	5.2	5.2	5.2
		max. length (m) - system size 60/100	20	20	15	15

Allowed for are 2 bends 87° (incl. support bends).

1 Max. total flue length up to the boiler flue connection (at system temperature 50/30°C)						
3	Vitodens 050-W	Rated output range (kW)			6.5	8.8
		max. length (m) - system size 60/100			8/10	8/10
	Vitodens 100-W	Rated output range (kW)			6.5	8.8
		max. length (m) - system size 60/100			19.0	13.5
	Vitodens 100-W Open Vent	Rated output range (kW)	7.9	7.9	7.9	7.9
		max. length (m) - system size 60/100	13.0	16.0	19.0	26.0
	Vitodens 111-W	Rated output range (kW)	8/10	8/10	8/10	8/10
		max. length (m) - system size 60/100				6.5
	Vitodens 200-W	Rated output range (kW)			26.0	35.0
		max. length (m) - system size 60/100			19.0	15.0
	Vitodens 222-F	Rated output range (kW)	3.2	5.2	5.2	5.2
		max. length (m) - system size 60/100	10	10	10	10
	Vitodens 242-F	Rated output range (kW)	3.2	5.2	5.2	5.2
		max. length (m) - system size 60/100	10	10	10	10

Allowed for are 2 bends 87° (incl. support bends).

Vitodens 100-W Combination & System

For concentric or balanced flue systems the max. flue length can be up to 19 m.

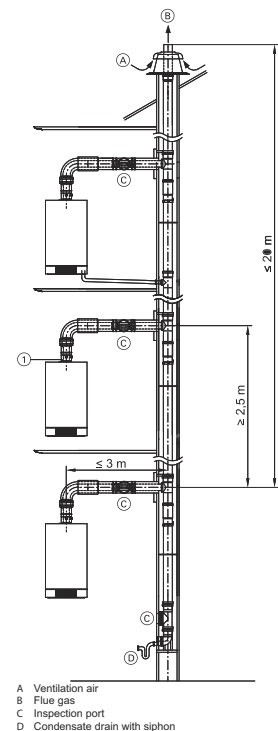
To match the boiler output to the flue system length, a concentric factor has to be set

- see installation instructions.

Communal Flue System (CFS)

A CFS system could be designed as shown below. To be able to provide correct parts it is important to know how the boiler is linked to the CFS duct.

System size	60	80
Parallel adapter ø 60/100 mm - ø 60/60 mm	7418011	
For separate routing of flue gas and ventilation air		
Parallel adapter ø 60/100 mm - ø 60/60 mm		7418011
For separate routing of flue gas and ventilation air		



A Ventilation air
B Flue gas
C Inspection port
D Condensate drain with siphon

Plume management kit

The plume kit enables the relocation of the flue outlet of a standard horizontal flue system to another position and is available as an optional extra.

- Ensure the maximum length of 3 m (externally) and 7 m (internally) is not exceeded
- The maximum length is reduced by 1 m when using a further 87° bend or 2 x 45° bends
- Deduct 3 m from the maximum possible standard concentric horizontal flue length and add the standard plume kit maximum length to give maximum length of entire flue system. ie. 6 m - 3 m + 2 m = 5 m maximum

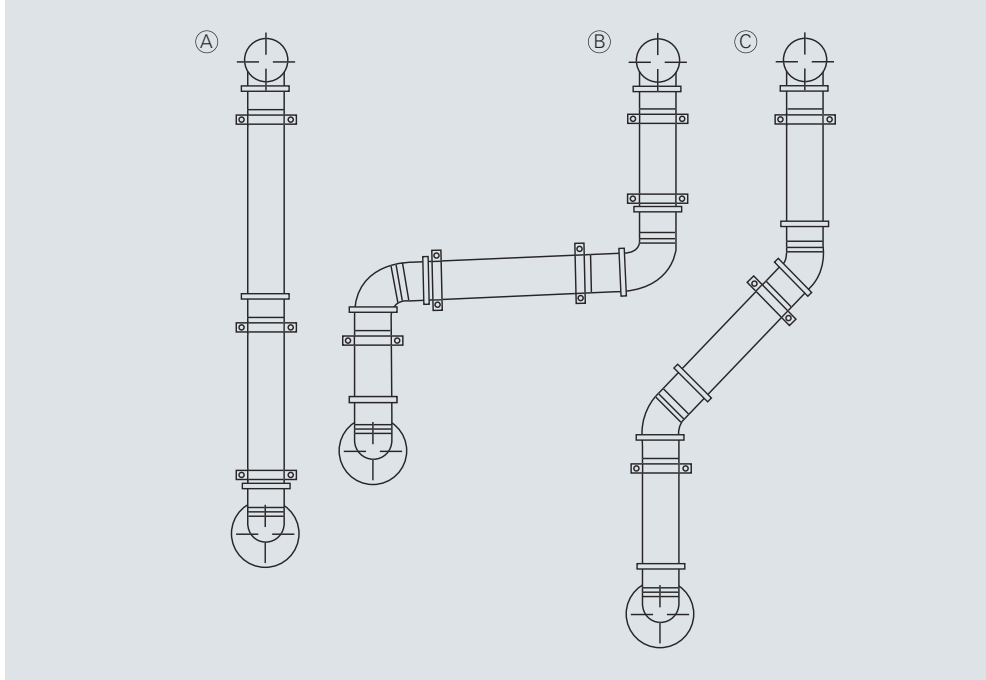
The standard plume kit comprises of the following parts:

- 87° connection to horizontal terminal
- 1 m pipe extension
- 87° flue outlet elbow with bird mesh
- Fixing clamps



Installed to prevent nuisance pluming across the window

Typical routing options



Kit contents

Item	Part no.
(A) Plume kit standard delivery 2 m max. length	7373238
(B) Plume kit standard delivery additional options	
2 x 87° bends	7373267
1 pipe 1 m long	7373268
(C) Plume kit standard delivery additional options	
2 x 45° bends	7373266
1 pipe 1 m long	7373268
Fixing clamps	7246572

Vitodens accessories

Part No.	Description	Vitodens 050-W	Vitodens 100-W Open Vent	Vitodens 100-W System & Combi	Vitodens 111-W	Vitodens 200-W (up to 35 kW)	Vitodens 222-F	Vitodens 242-F
7861488	LPG conversion kit for Vitodens 050-W 29 kW	■						
7861487	LPG conversion kit for Vitodens 050-W 35 kW	■						
7828769	LPG conversion kit for Vitodens 100-W Open Vent WB1B		■					
7842497	LPG conversion kit for Vitodens 100-W 19/26 kW			■				
7842498	LPG conversion kit for Vitodens 100-W 30/35 kW			■				
7849983	LPG conversion kit for Vitodens 111-W 19/26 kW				■			
7849984	LPG conversion kit for Vitodens 111-W 30/35 kW				■			
Z006704	DHW connection set for third party unvented cylinders includes extension module H1, DHW sensor				■			
ZK00539	DHW cylinder sensor with retainer for Vitocell unvented cylinders (G3 compliant)			■		■		
7296968	Cylinder control box (System boiler)			■		■		
7582789	Electrical Connection box 230V	■						
7601812	Stand off frame for Vitodens 050-W	■						
7474189	Stand off frame for Vitodens 100-W WB1C onwards Combi/System			■				
7476447	Pre-plumbing jig Combi boiler for Vitodens 100-W WB1C onwards - excl filling loop			■				
7476448	Pre-plumbing jig System boiler for Vitodens 100-W WB1C onwards- excl filling loop			■				
7601843	Valves fittings cover for 050-W	■						
7835443	Valves fittings cover for Vitodens 100-W WB1C onwards			■				
7438096	Valve fittings cover 360 x 450 mm					■		
Z010820	Sub mounting mixer kit for Vitodens 100-W WB1C onwards			■				
ZK02585	Sub-mounting mixer kit for Vitodens 200-W System up to 35 kW only with Vitotronic 200-2 heating circuits+ high efficiency pump					■		
ZK02586	Sub-mounting mixer kit for Vitodens 200-W Combi up to 35 kW only with Vitotronic 200-2 heating circuits+ high efficiency pump					■		
7424493	Boiler high efficiency modulating pump up-grade (WB2B and WB2C only)					■	■	
7369810	Condensate pump for low level boiler installation	■	■	■	■	■	■	■
7514306	DHW secondary circuit kit (Vitodens 222-F also requires 7452092 Extension AM1)				■	■		
7452092	Extension AM1 - function extensions wall mounted to control up to 2 pumps, i.e. DHW secondary circulation pump, pump for DHW heating, CH pump without mixer					■	■	■
7452091	Extension EA 1 - wall mounted extension of up to 5 different in and output signals: 1 analogue 0-10 V, 3 digital inputs: 1 potential free output					■	■	■
7498513	Internal H1 extension					■		
7498514	Internal H2 extension (controls extractor fan, DHW secondary pump, fault messages etc)					■		
ZK02193	CO Detector w Switch off V200/222/242					■	■	■
Z015500	CO detector c/w interface m relay output	■	■	■	■			
9537070	Tool kit	■	■	■	■	■	■	■
7822883	Ionisation current test adaptor	■	■	■	■	■	■	■
7373005	Plate heat exchanger flushing system		■	■		■	■	■
7459591	Tundish set for combined condensate & PRV drain	■		■	■			

Controls

Viessmann boilers have the added benefit of advanced control technology.

Viessmann controls are easy to install, maintain and operate and benefit from fault logging and diagnostic systems. They switch easily between Winter and Summer settings and some models have useful short cuts, including holiday, party and economy settings. All Vitodens boilers will operate with external controls, Viessmann and non Viessmann.

Lambda Pro Control

The Lambda Pro combustion controller works alongside the burner to constantly monitor the air to gas ratio. Instead of the gas mix remaining fixed from installation, the mix is automatically adjusted to maintain the correct ratio - in a similar way to the fuel management system in your car engine. This also means that on-site commissioning time is reduced.

The Lambda Pro is designed to work efficiently irrespective of the quality of the gas - a factor which will become more and more important as international gas supplies become less reliable.

The control replaces the traditional gas valve and changing to LPG takes just a few seconds - with no replacement parts! The Lambda Pro is an integral component of the Vitodens 200-W, Vitodens 222-F and Vitodens 242-F.

Weather Compensation

Weather compensation controls are a great, low cost way to make a boiler operate more efficiently. They can save up to 15% of annual fuel bills – that's on top of the big savings that you get from changing to a condensing boiler.

The boiler is connected to a small sensor on the outside of the building. When the temperature changes outside, the boiler responds and starts to increase or decrease the radiator temperature, to compensate. This pro-active mechanism means that people inside the building won't even notice that the temperature outside has changed. These constant small changes also mean that the boiler is

able to operate at the minimum temperature required to keep the rooms warm. This keeps the return temperature as low as possible and a return temperature of 57°C or less means the boiler can condense as it is designed to. Weather compensation maximises the condensing period of the boiler and results in significant fuel savings.

Control unit with colour touchscreen and energy cockpit

The new Vitotronic 200 control unit in the Vitodens 200 series makes energy consumption transparent, as it provides the system user with continuous energy updates. It also informs users about boiler power and gas consumption.

Convenient operation at your fingertips

The 5-inch touchscreen clearly displays all important data in the form of colourful pictograms and text. The main control functions are immediately accessible via Favourites. Along with clear menu structures, this makes operating the heating system particularly easy and convenient.

Energy cockpit for smart energy management

Along with the attractive design and the high level of operating convenience, the new display provides comprehensive control of the gas consumption for heating and domestic hot water heating in the form of an energy cockpit. If a solar thermal system is connected, solar yields are also captured and displayed. Colourful histograms also display all data optionally as daily, weekly, monthly or annual values. This enables users to comprehensively control and influence their consumption.

Heating controls for smart phone

Please refer to:

www.viessmann.co.uk/en/viessmann-apps/vicare-app.html



Scan here for more information



Weather compensation control features a 5" colour touchscreen with energy cockpit

Vitotrol 100 control system for Vitodens 100-W and 100-W Compact

Thermostat

- Vitotrol 100 room thermostat. Basic room thermostat with switched output (two-point output) (a)
- Vitotrol 100 UTA RF wireless programmable room thermostat. Analogue 24 hour, one channel clock (b)
- Vitotrol 100 UTDB RF2 wireless programmable room thermostat. Digital 7 day, two channel clock with large LCD display and selector for adjusting permanent comfort, permanent set back and frost protection (c)
- Vitotrol 100 open therm. 7 day single channel wired programmable room controller. For use with the Vitodens 050/100/111-W. (e)

Timer

- Analogue plug-in clock for operation with Vitotrol 100 room thermostat. Single channel plug-in time switch. Heating program selector switch with switched output for 24 hour programmable heating operation (d)

Vitotrol 200 RF control system for Vitodens 200-W, 222-F and 242-F

- Vitotrol 200 RF wireless remote control with LCD display for 1 heating circuit for use with Vitotronic 200
- Repeater (optional signal booster for systems with poor reception)
- Receiver unit that operates up to 3 Vitotrol 200 RF units

Vitotrol 300-A control system for Vitodens 200-W, 222-F and 242-F

- Vitotrol 300-A wireless remote control with LCD display for 3 heating circuits for use with Vitotronic 200
- Room temperature sensor (optional)
- Up to 2 remote control units can be connected to the boiler control unit, Vitotronic 200

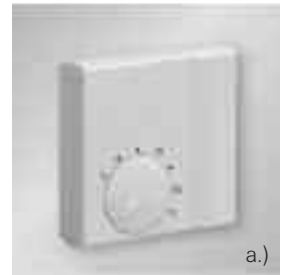
Vitotronic control systems for Vitodens 200-W, 222-F and 242-F, with economic energy management for all system sizes

Vitotronic control units think for you – from installation through to operation and maintenance. Whether used in an apartment, a detached home or in large systems, they offer the optimum solution for every need. As digital control systems with communication capability they ensure the economical and reliable operation of your heating system with well thought out electronic management.

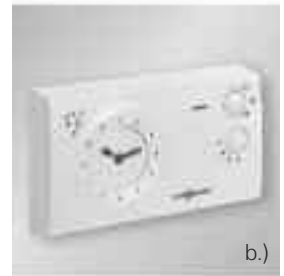
One control system for all boilers

All Viessmann boilers, whether wall mounted units, small freestanding boilers or larger boilers – are all controlled by one Vitotronic. That means: common parts throughout the entire boiler range, standardised assembly steps and only a few universal spare parts. This substantially simplifies installation, maintenance and service.

The innovative Viessmann modular design combines the basic chassis and function units to create various control unit versions – in each case matching the boiler and the individual requirements.



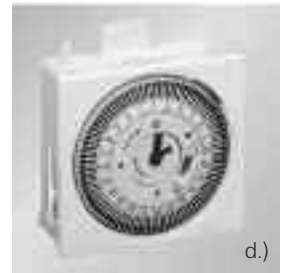
Part no. 7141709



Part no. 7454521



Part no. 7537234

Part no. 7522678 (100/111-W)
Part no. 7522677 (100-W WB1B)

Part no. 7511618



The Viessmann Academy

The aim of the Viessmann Academy is to provide knowledge on leading technology to professionals in the heating industry, thereby taking a vital role in the development of skill sets and the establishment of new, innovative technologies in the market place.

The Academy has been a major pillar of the Viessmann philosophy since the 1960s and each year trains more than 92 000 installers across the world.

Training courses in the United Kingdom

The Viessmann UK Academy is based at the headquarters in Telford, Shropshire, and also has external training locations around the country. Check the online portal for course locations and to book online.

Here, the Viessmann Academy trains installers, merchants, engineers, specifiers and consultants, not only on the current product range but also on many product types and topics.

To book onto on a Viessmann training course, please book online directly using the QR code opposite, or contact your Area Business Manager. To find contact details for your local Area Business Manager visit, www.viessmann.co.uk



Scan here
to book online

Viessmann Academy course offer



Domestic boiler courses

Gas-fired Combination and System boilers Vitodens 100 and 050 range, including 050-W, 100-W and 111-W
Gas-fired Vitodens 200 range, including 200-W, 222-F and 242-F, and Vitotronic controls



Commercial boiler courses

Gas-fired commercial System boiler Vitodens 200-W
Combined heat and power (CHP)
Control technology including cascade controls

CPD courses on request (CIBSE Accredited)

District heating schemes
Combined heat and power (CHP)
System design for high and low water content boilers



Solar courses

Practical solar thermal course including the Vitodens 242-F solar heating tower



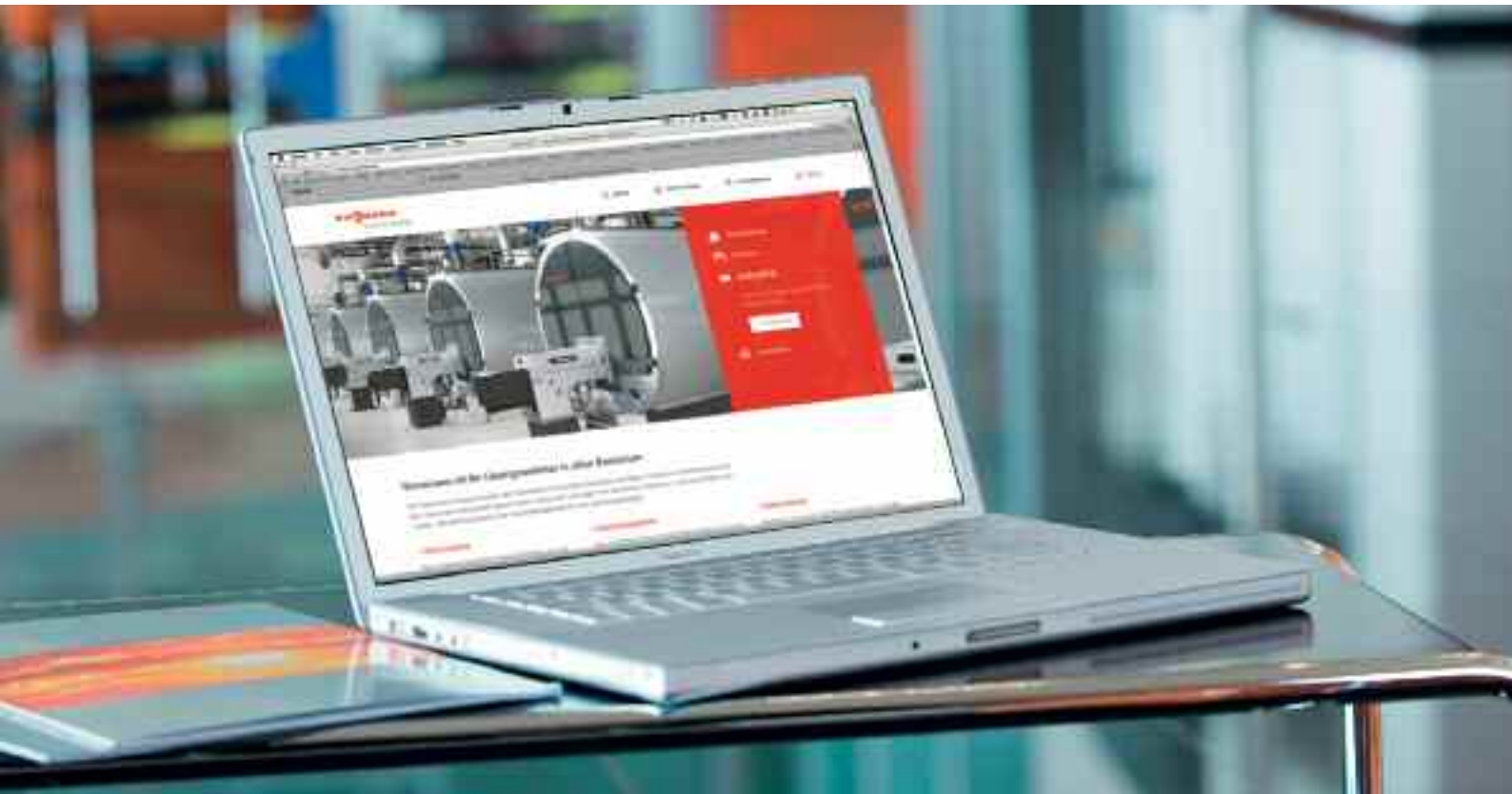
Biomass boiler courses

Introduction to biomass boilers
Vitoligno range



Heat pump courses

Introduction to heat pumps
Vitalocal 200 range including ground source and air source



Contact us

Viessmann Ltd, Hortonwood 30, Telford, Shropshire, TF1 7YP

Telephone **01952 675000**
Fax **01952 675040**
Email **info-uk@viessmann.com**

Sales

Telephone – Domestic **01952 675010**
Email **domsales-uk@viessmann.com**
Telephone – Commercial **01952 675090**
Email **comsales-uk@viessmann.com**
Fax **01952 678600**

Training academy

Telephone **01952 675032**
Email **academy-uk@viessmann.com**

Technical helpline

Telephone **01952 675070**
Email **technical-uk@viessmann.com**

ErP advice

Email **erp-advice@viessmann.com**

After sales

Telephone **01952 675060**
Email **aftersales-uk@viessmann.com**

Spares

Telephone **01952 675013**
Email **spares-uk@viessmann.com**

Online

Register online for engineer service requests and warranties **www.viessmann.co.uk**



Scan here
to book online



Scan here
for technical documents



Scan here
for ErP calculator



Scan here
for Spares App

The company

Viessmann is one of the leading international manufacturers of efficient heating, industrial energy and refrigeration systems.

Acting in a sustainable manner

As a family business Viessmann takes the long view and places great value on acting responsibly; sustainability is firmly enshrined in the company's principles. For Viessmann, sustainability in action means striking a balance between economy, ecology and social responsibility throughout the company; meeting current needs without compromising the quality of life of future generations.

With its strategic sustainability project, Viessmann demonstrates at its own head office in Allendorf (Eder) that the energy and climate policy goals set by the German government for 2050 can in fact be achieved today with the help of commercially available technology.

The Viessmann comprehensive range

As environmental pioneer and technological trailblazer for the heating sector, Viessmann has for decades been supplying exceptionally clean and efficient systems for heating, refrigeration and decentralised power generation. Many of the company's developments are recognised as heating equipment milestones.

Practical partnership

As part of its comprehensive range, Viessmann also offers a wide selection of complementary services. These services include a comprehensive training and further development programme for trade partners at the well equipped training facilities of the Viessmann Academy.

With its new digital services, Viessmann offers innovative solutions such as the operation and monitoring of heating systems by smartphone. Users benefit from greater reassurance and convenience, whilst contractors can keep a constant eye on the systems for which they are responsible.



German Sustainability Award for Production/Brand/Resource Efficiency



Energy Efficiency Award

Viessmann Group

Company details

- Established in: 1917
- Employees: 12,100
- Group turnover: 2.37 billion euros
- Export share: 55 percent
- 23 production companies in 12 countries
- 74 countries with sales companies and branches
- 120 sales offices worldwide

The comprehensive product range from the Viessmann Group

- Boilers for oil or gas
- Combined heat and power generation
- Hybrid appliances
- Heat pumps
- Wood combustion technology
- Facilities for producing and reconditioning biogas
- Solar thermal
- Photovoltaics
- Electric heating and DHW systems
- Refrigeration systems
- Accessories

Vitodens technical specification

		Vitodens 100-W						
Appliance		System B1HC				Combi B1KC		
Model	Unit	19	26	30	35	26	30	35
Rated CH Output								
At Tf/Tr 50/30 °C (condensing)	KW	4.7 – 19	4.7 – 26	5.8 – 30	5.8 – 35	4.7 – 26	5.8 – 30	5.8 – 35
At Tf/Tr 80/60 °C (non-condensing)	KW	4.3 - 17.4	4.3 - 23.8	5.3 - 27.3	5.3 - 32	4.7 - 23.8	5.3 - 27.3	5.3 - 32
Rated central heating input (net)	KW	6.1 - 17.8	6.1 - 27.1	8.2 - 31.3	8.2 - 36.5	6.1 - 17.8	8.2 - 31.3	8.2 - 36.5
Domestic hot water output range	KW	n/a	n/a	n/a	n/a	5.9 - 26	8.0 - 30	8.0 - 35
DHW heating efficiency (ErP)	%	n/a	n/a	n/a	n/a	82	81	81
DHW heating energy efficiency		n/a	n/a	n/a	n/a	A	A	A
Max. nat gas rate (CH mode)	m3/h	1.9	2.6	3	3.5	2.6	3	3.5
Max LPG	kg/H	1.4	1.9	2.2	2.6	1.9	2.2	2.6
Gas supply pressure								
Natural gas		20	20	20	20	20	20	20
LPG		37	37	37	37	37	37	37
Max permissible gas supply pressure								
Natural gas		25	25	25	25	25	25	25
LPG		45	45	45	45	45	45	45
Efficiency (SEDBUK 2012)								
Full Load	100%	97.92	97.95	98.02	97.91	97.95	98.02	97.91
Part Load	30%	108.7	108.6	108.2	109.3	108.6	108.2	109.3
Seasonal efficiency (SEDBUK 2012)		89.2	89.2	89	89.4	89.1	88.9	89.3
ErP Efficiency								
Heating seasonal efficiency (ErP)	%	94	94	94	94	94	94	94
Energy efficiency class (ErP)		A	A	A	A	A	A	A
NOx classification	class				5 (<39 mg/kWh)			
Noise (sound power level)		48 dB	49 dB	49 dB	48 dB	49 dB	49 dB	48 dB
DHW/CH								
DHW performance @ 35°C temp. rise	l/min	n/a	n/a	n/a	n/a	10	12	14
DHW temp. range	°C	n/a	n/a	n/a	n/a	30-60	30-60	30-60
Maximum mains water inlet pressure	bar	n/a	n/a	n/a	n/a	10	10	10
Minimum mains water inlet pressure for max DHW heat output	bar	n/a	n/a	n/a	n/a	0.5	0.5	0.5
Minimum mains water inlet pressure for operation	bar	n/a	n/a	n/a	n/a	0.5	0.5	0.5
Minimum DHW flow rate for operation	l/min	n/a	n/a	n/a	n/a	0.5	0.5	0.5
Minimum CH system pressure - cold	bar	0.5	0.5	0.5	0.5	0.5	0.5	0.5
Maximum CH system pressure - hot	bar	3	3	3	3	3	3	3
Cylinder capacity		n/a	n/a	n/a	n/a	n/a	n/a	n/a
CH flow temp. range	°C	30-80	30-80	30-80	30-80	30-80	30-80	30-80
General specification								
Integral expansion vessel capacity	ltr	8	8	8	8	8	8	8
Integral expansion vessel pre-charge pressure	bar	0.75	0.75	0.75	0.75	0.75	0.75	0.75
Total water capacity	ltr	2.8	2.8	3.4	3.4	2.8	3.4	3.4
Lift weight	kg	35	36	37	37	36	38	38
Total weight (including packaging) Kg	kg	37	38	39	39	38	40	40
Electricity supply		230v 50 HZ	230v 50 HZ	230v 50 HZ	230v 50 HZ	230v 50 HZ	230v 50 HZ	230v 50 HZ
Internal fuse	A	2.5	2.5	2.5	2.5	2.5	2.5	2.5
Maximum power consumption	W	84	92	98	108	97	105	119
Water protect rating		IP X4D	IP X4D	IP X4D	IP X4D	IP X4D	IP X4D	IP X4D
Flue temp. @ 50/30 - max CH output	°C	45	45	45	45	45	45	45
Flue temp. @ 50/30 - min CH output	°C	35	35	35	35	35	35	35
Flue temp. @ 80/60 - max CH output	°C	68	68	68	69	68	68	70
Flue products mass flow rate - NG - max CH output	kg/h	30.1	41.1	49.0	56.9	41.1	49.0	56.9
Flue products mass flow rate - NG - min CH output	kg/h	14.6	14.6	17.6	17.6	14.6	17.6	17.6
Flue products mass flow rate - LPG - max CH output	kg/h	34	46.4	54.0	62	46.4	54.0	62.0
Flue products mass flow rate - LPG - min CH output	kg/h	15.9	15.9	19.4	19.4	15.9	19.4	19.4
Max. gas pressure NG	mbar	20 - 25	20 - 25	20 - 25	20 - 25	20 - 25	20 - 25	20 - 25
Gas Council number		41-819-36	41-819-37	41-819-38	41-819-39	47-819-33	47-819-34	47-819-35
Product ID					CE-0063 CQ3356			
Dimensions/Connections								
Inner flue duct diameter	mm	60	60	60	60	60	60	60
Outer flue duct diameter	mm	100	100	100	100	100	100	100
Boiler dimensions (height x width x depth)	mm				700 x 400 x 350			
DHW outlet & mains cold inlet		n/a	n/a	n/a	n/a	15	15	15
CH flow & return	mm	22	22	22	22	22	22	22
Condensate	mm	22	22	22	22	22	22	22
Gas	mm	22	22	22	22	22	22	22
PRV outlet	mm	n/a	n/a	n/a	n/a	n/a	n/a	n/a
Max horizontal flue length	m	19	13.5	13.5	17	13.5	13.5	17
Max vertical flue length	m	19	13.5	13.5	17	13.5	13.5	17

	Vitodens 100-W Compact WB1B				Vitodens 050-W BPJD	
	Open Vent				Combi	
13	16	19	26	35	29	35
7.9-13	7.9-16	7.9-19	7.9-26	11.0-35	6.5-24	8.8-33
7.2-11.9	7.2-14.6	7.2-17.3	7.2-23.7	10.0-31.9	5.9-21.9	8.0-30.1
7.4-12.2	7.4-15.0	7.4-17.8	7.4-24.3	10.3-32.7	6.1-22.4	8.2-30.9
n/a	n/a	n/a	n/a	n/a	5.9-29	8.0-35
n/a	n/a	n/a	n/a	n/a	80	78
n/a	n/a	n/a	n/a	n/a	A	A
1.3	1.6	1.9	2.6	3.5	2.37	3.28
0.9	1.1	1.4	1.9	2.6	1.71	2.36
20	20	20	20	20	20	20
37	37	37	37	37	37	37
25	25	25	25	24	25	25
45	45	45	45	45	45	45
97.7	97.8	97.7	97.7	98.0	97.4	97.5
108.4	108.4	108.4	108.4	109.0	108.8	108.7
89	89.1	89	89.3	88.7	89	89
94	94	94	94	94	93	93
A	A	A	A	A	A	A
		5 (<39 mg/kWh)			5 (<39 mg/kWh)	
48 dB	48 dB	49 dB	49 dB	50 dB	45 dB	48 dB
n/a	n/a	n/a	n/a	n/a	12	14
n/a	n/a	n/a	n/a	n/a	30-60	30-60
n/a	n/a	n/a	n/a	n/a	10	10
n/a	n/a	n/a	n/a	n/a	1	1
n/a	n/a	n/a	n/a	n/a	0.1	0.1
n/a	n/a	n/a	n/a	n/a	2.1	2.1
n/a	n/a	n/a	n/a	n/a	0.8	0.8
n/a	n/a	n/a	n/a	n/a	3	3
n/a	n/a	n/a	n/a	n/a	n/a	n/a
30-75	30-75	30-75	30-75	30-75	30-80	30-80
n/a	n/a	n/a	n/a	n/a	8	8
n/a	n/a	n/a	n/a	n/a	0.75	0.75
3.1	3.1	3.1	3.1	3.1	2.2	2.9
25	25	25	25	25	37	39
30	30	30	30	30	39	41
230v 50 HZ	230v, 50 HZ	230v, 50 HZ	230v, 50 HZ	230v, 50 HZ	230v, 50 HZ	230v, 50 HZ
2.5	2.5	2.5	2.5	2.5	2.5	2.5
45	50	55	60	65	118	142
IP X4D	IP X4D	IP X4D	IP X4D	IP X4D	IPX4D	IPX4D
45	45	45	45	45	45	45
35	35	35	35	35	35	35
68	68	68	69	69	68	68
n/a	n/a	n/a	n/a	n/a	n/a	n/a
n/a	n/a	n/a	n/a	n/a	n/a	n/a
n/a	n/a	n/a	n/a	n/a	n/a	n/a
n/a	n/a	n/a	n/a	n/a	n/a	n/a
20-25	20-25	20-25	20-25	20-25	25	25
41-819-21	41-819-22	41-819-23	41-819-24	41-819-25	47-819-31	47-819-32
	CE- 0085 BT0029				CE-0063 CS3199	
60	60	60	60	60	60	60
100	100	100	100	100	100	100
	600 x 375 x 285			600 x 375 x 340	707 x 400 x 350	
n/a	n/a	n/a	n/a	n/a	15	15
n/a	n/a	n/a	n/a	n/a	15	15
22	22	22	22	22	22	22
22	22	22	22	22	22	22
15	15	15	15	15	n/a	n/a
8	8	8	8	8	15	20
10	10	10	10	10	15	20

Vitodens technical specification

Vitodens 200-W								
Model	Unit	System B2HB				Combi B2KB		
		19	26	30	35	26	30	35
Rated CH Output								
At Tf/Tr 50/30 °C (condensing)	KW	1.9-19	2.6-26	2.6-30	1.8-35	2.6-26	2.6-30	1.8-35
At Tf/Tr 80/60 °C (non-condensing)	KW	1.7-17.6	2.4-24.1	2.4-28	1.6-31.7	2.4-24.1	2.4-28	1.6-32.5
Rated central heating input (net)	KW	1.8-17.9	2.5-24.7	4.9-28.5	4.9-33.0	4.9-24.7	4.9-28.5	4.9-33.0
Domestic hot water output range	KW	n/a	n/a	n/a	n/a	4.7-29.7	4.7-30.5	4.7-34.0
DHW heating efficiency (ErP)	%	n/a	n/a	n/a	n/a	80	81	81
DHW heating energy efficiency		n/a	n/a	n/a	n/a	A	A	A
Max. nat gas rate (CH mode)	m ³ /h	1.89	2.61	3.01	3.49	3.23	3.31	3.69
Max LPG	kg/H	1.4	1.93	2.22	2.57	2.38	2.45	2.73
Gas supply pressure								
Natural gas		20	20	20	20	20	20	20
LPG		37	37	37	37	37	37	37
Max permissible gas supply pressure								
Natural gas		25	25	25	25	25	25	25
LPG		45	45	45	45	45	45	45
Efficiency (SEDBUK 2012)								
Full Load	100%	97.53	97.95	97.91	97.72	97.95	97.91	97.72
Part Load	30%	108.5	108.5	108.6	108.8	108.5	108.6	108.8
Seasonal efficiency (SEDBUK 2012)		89	89.1	89.1	89.2	89	89	89.1
ErP Efficiency								
Heating seasonal efficiency (ErP)	%	92	92	92	92	92	92	92
Energy efficiency class (ErP)		A	A	A	A	A	A	A
NOx classification	class				5 (<39 mg/kWh)			
Noise (sound power level)		32 dB	36 dB	36 dB	36 dB	36 dB	36 dB	36 dB
DHW/CH								
DHW performance @ 35°C temp. rise	l/min	n/a	n/a	n/a	n/a	10.3	12.3	14.3
DHW temp. range	°C	n/a	n/a	n/a	n/a	30-60	30-60	30-60
Maximum mains water inlet pressure	bar	n/a	n/a	n/a	n/a	10	10	10
Minimum mains water inlet pressure for max DHW heat output	bar	n/a	n/a	n/a	n/a	1	1	1
Minimum mains water inlet pressure for operation	bar	n/a	n/a	n/a	n/a	0.3	0.3	0.3
Minimum DHW flow rate for operation	l/min	n/a	n/a	n/a	n/a	3	3	3
Minimum CH system pressure - cold	bar	0.5	0.5	0.5	0.5	0.5	0.5	0.5
Maximum CH system pressure - hot	bar	3	3	3	3	3	3	3
Cylinder capacity		n/a	n/a	n/a	n/a	n/a	n/a	n/a
CH flow temp. range	°C	30-75	30-75	30-75	30-75	30-75	30-75	30-75
General specification								
Integral expansion vessel capacity	ltr	10	10	10	10	10	10	10
Integral expansion vessel pre-charge pressure	bar	0.75	0.75	0.75	0.75	0.75	0.75	0.75
Total water capacity	ltr	7.2	7.8	8.2	8.2	7.8	8.2	8.2
Lift weight	kg	40	41.6	41.6	47	46	48	48
Total weight (including packaging) Kg	kg	48	50	52	52	51	53	53
Electricity supply		230v 50 Hz	230v 50 Hz	230v 50 Hz	230v 50 Hz	230v 50 Hz	230v 50 Hz	230v 50 Hz
Internal fuse	A	6.3	6.3	6.3	6.3	6.3	6.3	6.3
Maximum power consumption	W	80	86	95	110	108	119	123
Water protect rating	IPX4D	IPX4D	IPX4D	IPX4D	IPX4D	IPX4D	IPX4D	IPX4D
Flue temp. @ 50/30 - max CH output	°C	45	45	45	45	45	45	45
Flue temp. @ 50/30 - min CH output	°C	35	35	35	35	35	35	35
Flue temp. @ 80/60 - max CH output	°C	68	70	70	70	70	70	70
Flue products mass flow rate - NG - max CH output	kg/h	33.3	47.3	54.2	63.2	47.3	54.2	63.2
Flue products mass flow rate - NG - min CH output	kg/h	8.4	11.8	15.7	15.7	11.8	15.7	15.7
Flue products mass flow rate - LPG - max CH output	kg/h	32.5	46.4	58.5	68.2	46.4	58.5	68.2
Flue products mass flow rate - LPG - min CH output	kg/h	8.2	11.5	15.4	15.4	11.5	15.4	15.4
Max. gas pressure NG	mbar	20-25	20-25	20-25	20-25	20-25	20-25	20-25
Gas council number		41-819-32	41-819-33	41-819-34	41-819-35	47-819-28	47-819-29	47-819-30
Product ID					CE-0085 CN0050			
Dimensions/Connections								
Inner flue duct diameter	mm	60	60	60	60	60	60	60
Outer flue duct diameter	mm	100	100	100	100	100	100	100
Boiler dimensions (height x width x depth)	mm				850 x 450 x 375			
DHW outlet & mains cold inlet		n/a	n/a	n/a	n/a	15	15	15
CH flow & return	mm	22	22	22	22	22	22	22
Condensate	mm	22	22	22	22	22	22	22
Gas	mm	20-24	20-24	20-24	20-24	20-24	20-24	20-24
PRV outlet	mm	15	15	15	15	15	15	15
Max horizontal flue length	m	10	10	10	10	10	10	10
Max vertical flue length	m	10	10	10	10	10	10	10

Vitodens 111W B1LD		Vitodens 222-F B2TB			Vitodens 242-F B2UB	
Storage Combi		Storage Combi			Solar DHW Storage	
26	35	19	26	35	19	26
4.7-26	5.8-35	1.9-19	2.6-26	1.8-35	1.9-19	2.6-26
4.3-23.8	5.3-32	1.7-17.6	2.4-24.1	1.6-32.5	1.7-17.6	2.4-24.1
6.1-30.5	8.2-36.5	1.8-17.9	2.5-30.5	1.7-34.9	1.8-17.9	2.4-30.5
4.3-29.6	5.3-34	1.7-17.2	2.4-29.3	1.6-33.5	1.7-17.2	2.4-29.3
80	77	80	78	77	80	80
A	B	A	B	B	A	A
3.23	3.86	1.89	3.23	3.69	1.89	3.23
2.39	2.86	1.4	2.38	2.73	1.4	2.39
20	20	20	20	20	20	20
37	37	37	37	37	37	37
25	25	25	25	25	25	25
45	45	45	45	45	45	45
97.95	97.91	97.53	97.95	97.72	97.53	97.95
108.6	109.3	108.5	108.5	108.8	108.5	108.5
89.5	89.7	89.3	89.4	89.5	89.3	89.4
94	94	92	92	92	92	92
A	A	A	A	A	A	A
5 (<39 mg/kWh)						
49 dB	49 dB	41 dB	45 dB	48 dB	40 dB	43 dB
18	18	18	20	20	16.4	19.0
30-60	30-60	30-60	30-60	30-60	30-60	30-60
10	10	10	10	10	10	10
1	1	>0.1	>0.1	>0.1	0.1	0.1
0.1	0.1	0.1	0.1	0.1	0.1	0.1
0.5	0.5	0.1	0.1	0.1	0.1	0.1
0.5	0.5	0.5	0.5	0.5	0.5	0.5
3	3	3	3	3	3	3
46	46	100	100	130	170	170
30-80	30-80	30-75	30-75	30-75	30-75	30-75
8	8	12	12	12	12	12
0.75	0.75	0.75	0.75	0.75	0.75	0.75
2.8	2.8	2.8	3.4	3.4	170	170
62	64	105	148	163	161	165
67	69	109	152	167	166	170
230v, 50 Hz	230v, 50 Hz	230v, 50 Hz	230v, 50 Hz	230v, 50 Hz	230v, 50 Hz	230v, 50 Hz
2.5	2.5	6.3	6.3	6.3	6.3	6.3
141	153	126	148	163	160	209
IPX4D	IPX4D	EN 60529	EN 60529	EN 60529	IPX4D	
45	45	45	45	45	45	45
35	35	35	35	35	35	35
65	68	68	68	70	68	68
47.3	63.2	31.8	54.3	62.1	31.8	43.9
11.8	15.7	5.5	8.7	8.7	5.5	8.7
46.4	68.2	30.2	51.5	58.9	30.2	41.7
11.5	15.4	7.6	14	14	7.6	14
25	25	20-25	20-25	20-25	20-25	20-25
47-819-24	47-819-25	47-819-15	47-819-16	47-819-17	47-819-18	47-819-19
CE-0063 CQ3356		CE-0085 CN0050			CE-0085 CN0050	
60	60	60	60	60	60	60
100	100	100	100	100	100	100
900 x 600 x 480		1425 x 600 x 595	1625 x 600 x 595		1875 x 600 x 595	
15	15	15	15	15	15	15
22	22	22	22	22	22	22
22	22	22	22	22	22	22
22	22	20-24	20-24	20-24	20-24	20-24
n/a	n/a	n/a	n/a	n/a	n/a	n/a
13.5	17	10	10	10	10	10
13.5	17	10	10	10	10	10

Viessmann Limited
Hortonwood 30, Telford
Shropshire, TF1 7YP
Tel: 01952 675000
Fax: 01952 675040
www.viessmann.co.uk

Your trade partner: