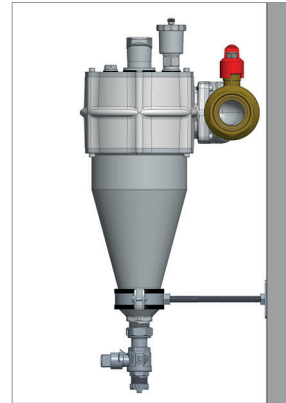


TF1 DELTA FILTER DATA SHEET

Designed for large volume, low temperature heating and cooling systems to protect key components from magnetic & non-magnetic debris and to remove trapped air from system water. The TF1 Delta Filter's solid brass construction and dual radial seals ensures a high performance specification, which is suitable for new and existing installations.

- Optimum performance with magnetic and hydrocyclonic filtration
- Fast and easy to install close to the wall (with minimal pipe alterations necessary)
- Fits horizontal and vertical pipework in both flow directions
- Fast and easy to clean without dismantling the filter
- Maximum working pressure of 16 bar (232 psi)
- Automatic Air Vent with Auto Shut-off Valve - 12 bar (174 psi)
- High grade, high temperature rated neodymium magnet



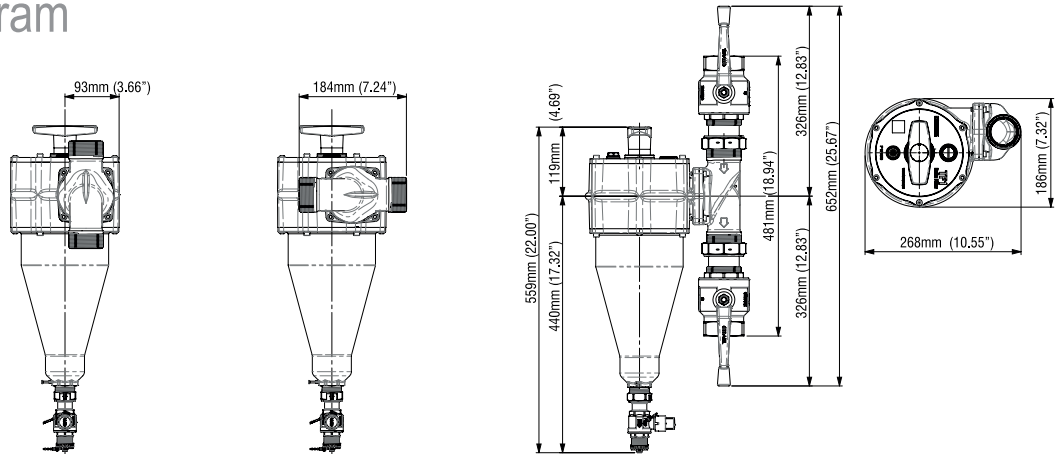
PRODUCT OPTIONS	2" Euro Valve BSPP (ISO 228) Female Valves	2" USA Valve BSPP (ISO 228) / NPT (ANSI B1.20.1) Female Valves	2" No Valve BSPP (ISO 228) Male Filter No Valve	2" USA Flange ANSI 150 B16.5 Spec Flanges	2" ROW* Flange EN 1092 (DIN) Spec Flanges * Rest of the world
Product code	62226	62227	62228	62229	62230
Filter	✓	✓	✓	✓	✓
Drain Valve	✓	✓	✓	✓	✓
Valves	✓	✓	✗	✗	✗
Support Bracket	✓	✓	✓	✓	✓
Stud Pack	✓	✓	✓	✓	✓
Hose Barb & Shut-off Valve	✓	✓	✓	✓	✓
Auto Air Vent	✓	✓	✓	✓	✓
Instructions	✓	✓	✓	✓	✓
Seals Pack Screw Thread	✓	✓	✓	✗	✗
Seals Pack ANSI Flange	✗	✗	✗	✓	✗
Seals Pack EN (DIN) Flange	✗	✗	✗	✗	✓

TF1 DELTA FILTER

Dimensional Diagram

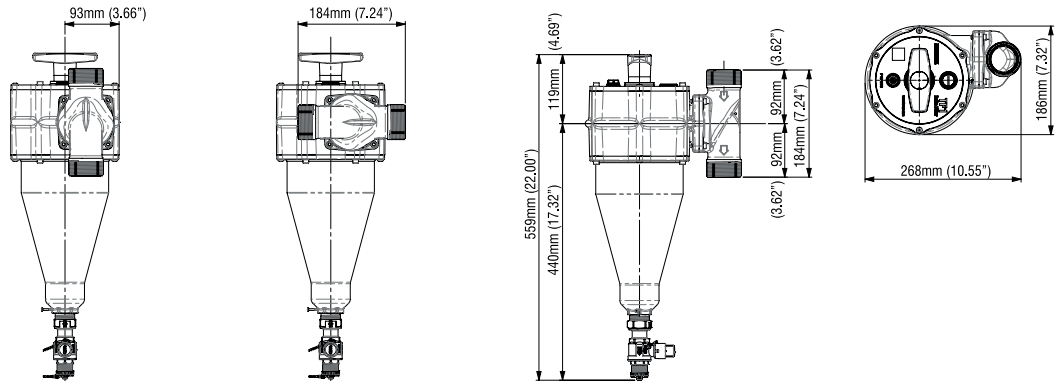
2" Euro Valve

BSPP (ISO 228) Female Valves
Product code: **62226**



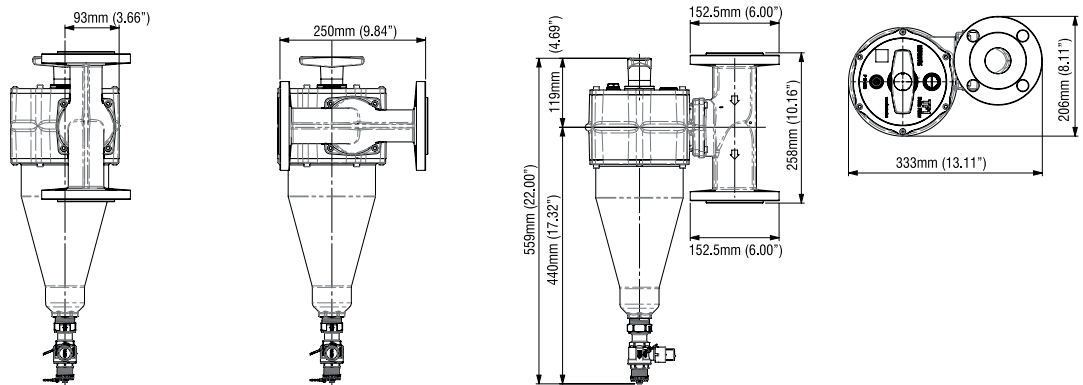
2" USA Valve

BSPP (ISO 228) / NPT (ANSI B1.20.1)
Female Valves
Product code: **62227**



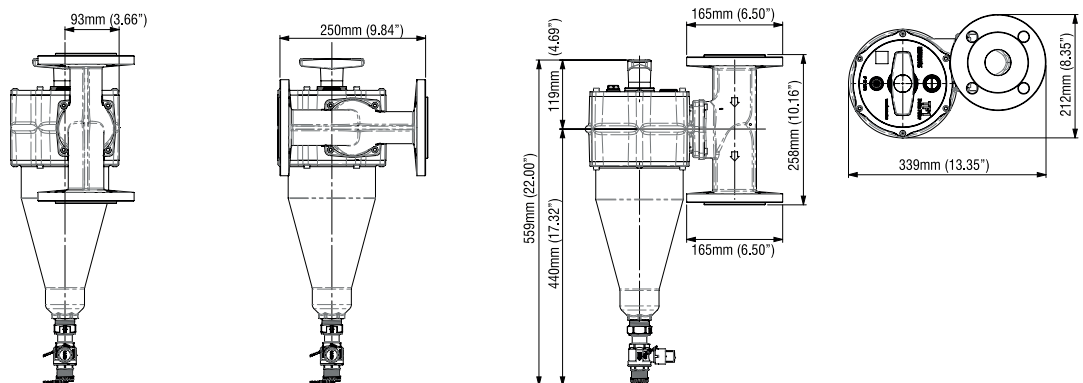
2" No Valve

BSPP (ISO 228) Male Filter No Valve
Product code: **62228**



2" USA Flange

ANSI 150 B16.5 Spec Flanges
Product code: **62229**



2" ROW* Flange

EN 1092 (DIN) Spec Flanges
Product code: **62230**
* Rest of the world

TF1 DELTA FILTER

Specifications

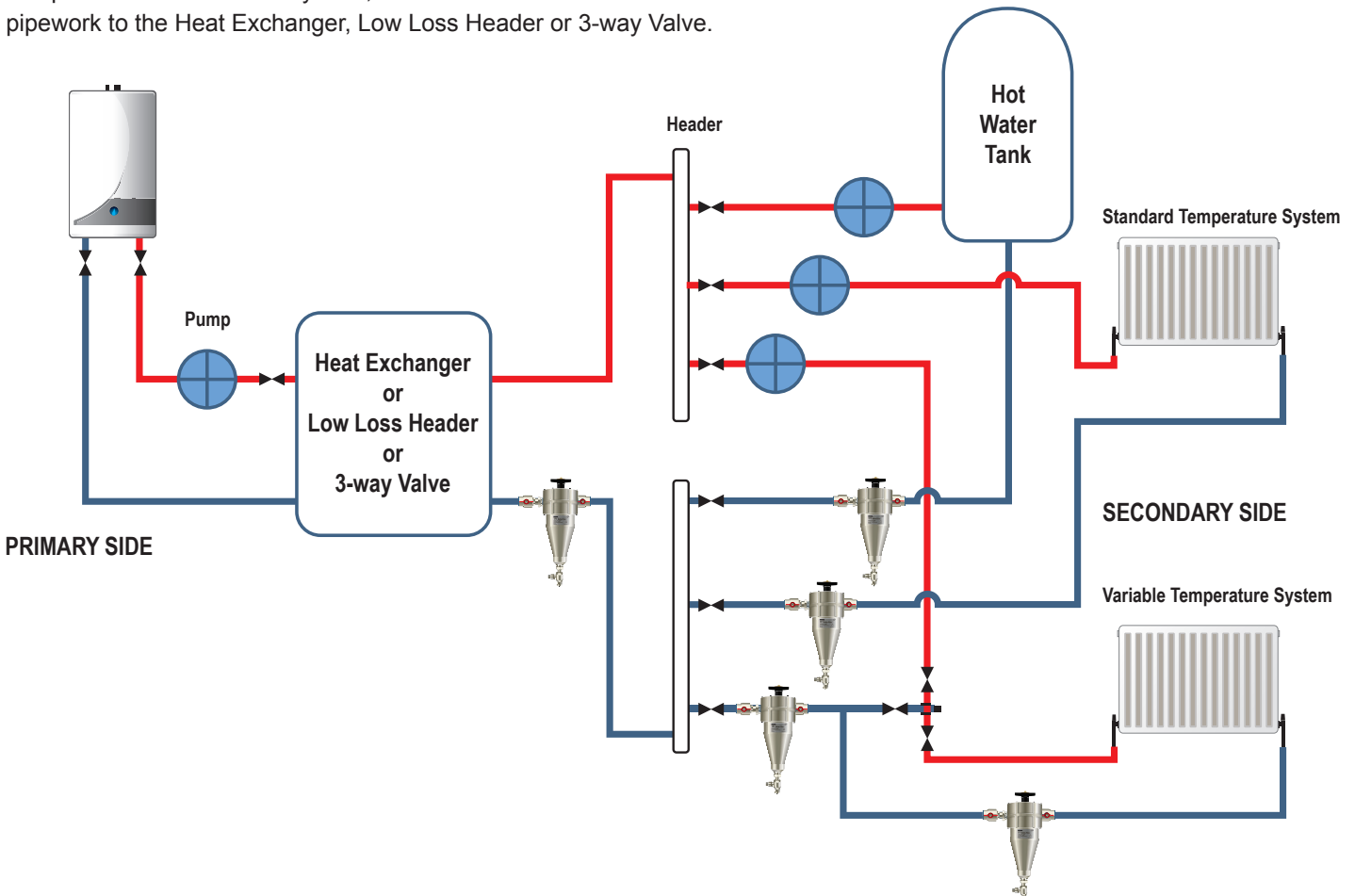


WEIGHT	Filter weight only
2" Euro Valve BSPP (ISO 228) Female Valves	17kg (38lbs)
2" USA Valve BSPP (ISO 228) / NPT (ANSI B1.20.1) Female Valves	17kg (38lbs)
2" No Valve BSPP (ISO 228) Male Filter No Valve	17kg (38lbs)
2" USA Flange ANSI 150 B16.5 Spec Flanges	23kg (51lbs)
2" ROW* Flange EN 1092 (DIN) Spec Flanges * Rest of the world	24kg (53lbs)

Internal Volume:	3.2L (0.84 US Gallons)
Max Flow Rate:	200L/min (53 US Gallons)
Max Temperature:	120°C (248°F)
Max Pressure:	16 bar (PN16) (232 psi)
Drain Valve:	3/4" x 1" BSP (ISO 228)
Filter Seals:	EPDM Peroxide cured
Material:	High quality, nickel-plated, machined brass alloy

Filter Positioning within the System

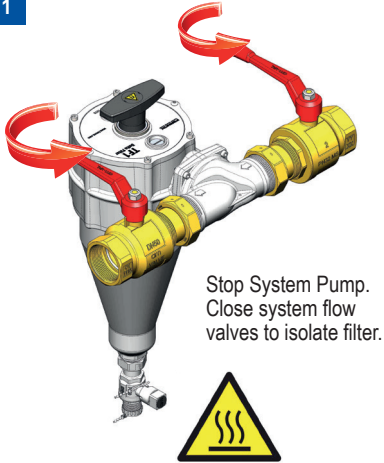
For flow rates above 200L/min (53 US Gallons) use a bypass system. To optimise filtration of the system, fit the TF1 Delta Filter on the return pipework to the Heat Exchanger, Low Loss Header or 3-way Valve.



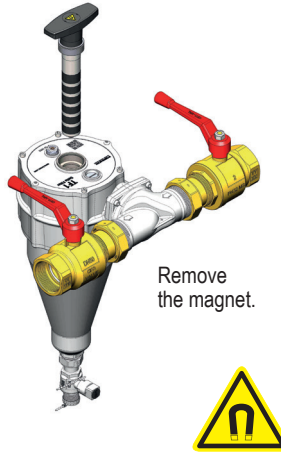
TF1 DELTA FILTER Cleaning Guide

The TF1 Delta Filter is designed to be cleaned in situ within the system. There is no requirement to remove any bolts, seals or the filter itself from the pipework.

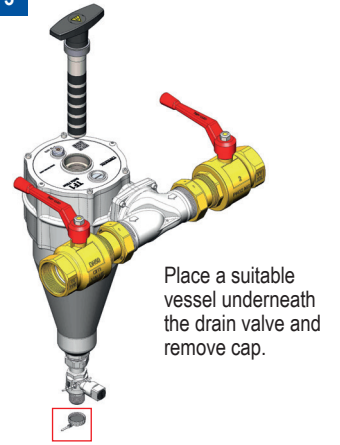
1



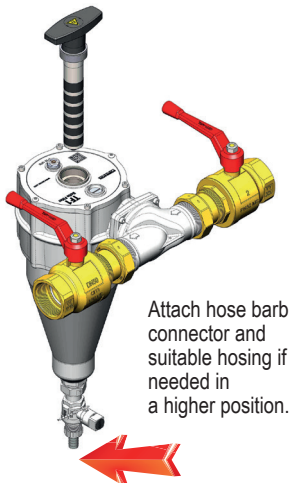
2



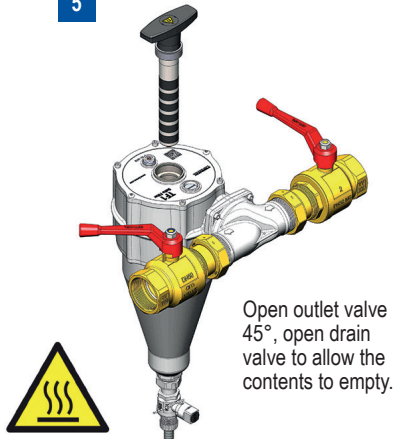
3



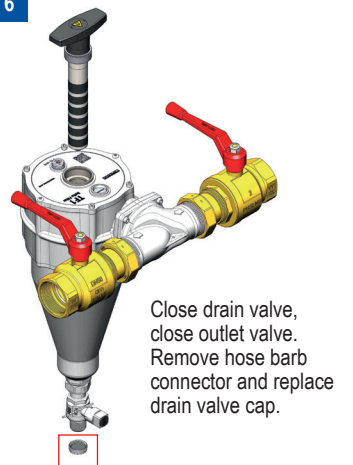
4



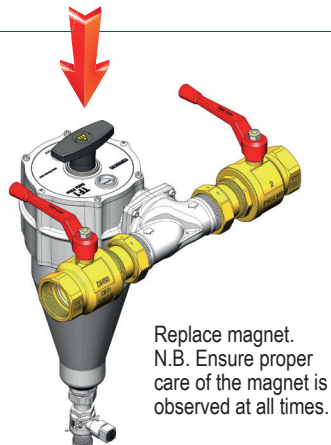
5



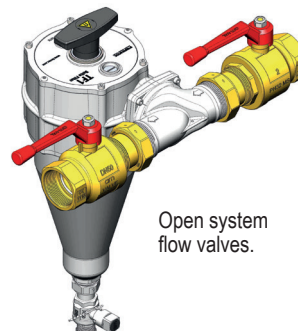
6



7



8



Pressure Loss Data

The TF1 Delta Filter has been hydrostatically tested according to the Pressure Equipment Directive 97/23/EC at 24 bars (348 psi) for a PN16 rating.

Product Usage

The TF1 Delta Filter is a high performance filter, which uses magnetic and hydrocyclonic action to deliver, contain and remove contaminants from system water. Ideal for all systems such as zoned, cascade, low loss header and plate-to-plate heat exchangers.

A TF1 Delta Filter will protect the boiler from the damaging effects of circulating corrosion debris, which has collected in the system as a result of a chemical reaction when water comes into contact with mixed metals used within a heating and cooling system.

N.B. To prevent further corrosion from taking place a quality inhibitor should be used in combination with the TF1 Delta Filter, especially in circumstances where demineralised water is present.

Caution: High Powered Magnet and Surface Temperature

As with all magnetic products, if you have an implanted cardiac device extra caution should be taken. In addition, wear hand Personal Protective Equipment (PPE) when handling a TF1 Delta Filter during operation or cleaning.



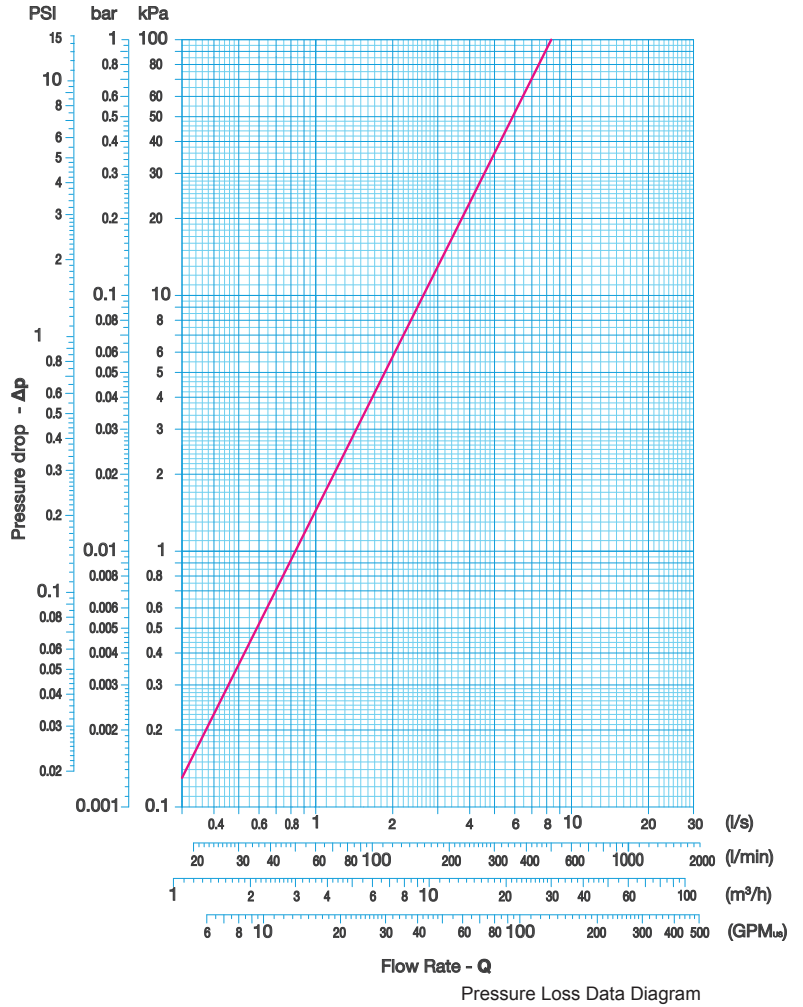
Ancillary Products

TF1 Delta Filter Thermal Cover

A fire-resistant thermal cover – optional extra
Product code: **62231**



Fernox Commercial Chemical Range



TF1 Delta Filter Spare Seals Packs

Replacement seals

TF1 Delta Filter Seals Pack Screw Thread

Product code: **62233**

TF1 Delta Filter Seals Pack ANSI Flange

Product code: **62237**

TF1 Delta Filter Seals Pack EN (DIN) Flange

Product code: **62238**

www.fernox.com

Telephone: +44 (0) 330 100 7750 Fax: +44 (0) 330 100 7751 Email: sales@fernox.com

The TF1 Delta Filter has been granted patent 2448232 in the UK, Europe, USA and People's Republic of China.

